

9.22 VHF Circuit Board/Schematic Diagrams and Parts List (PCB 8486473Z03)

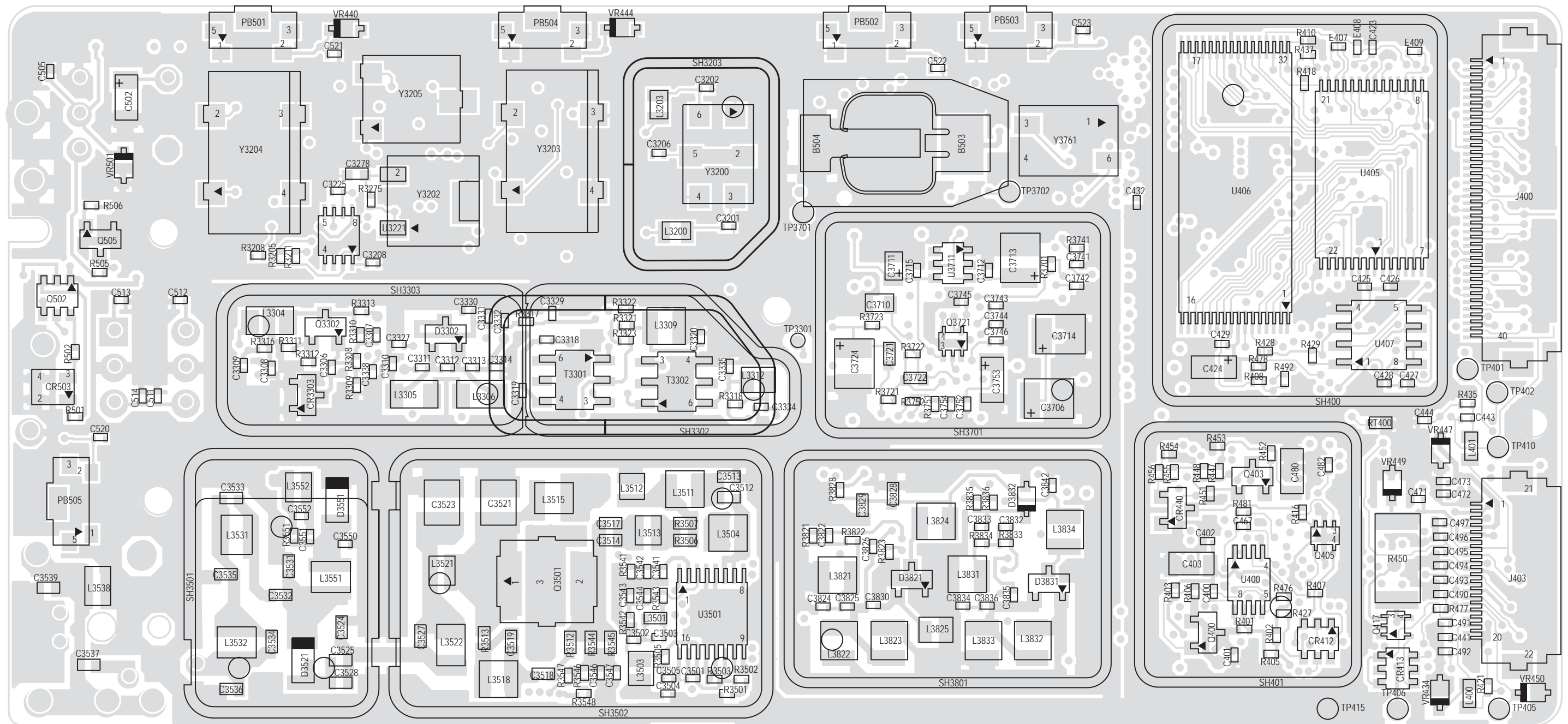


Figure 9-193. VHF (136-174 MHz) 5000/7000 Series Main Board Top Side PCB No. 8486473Z03

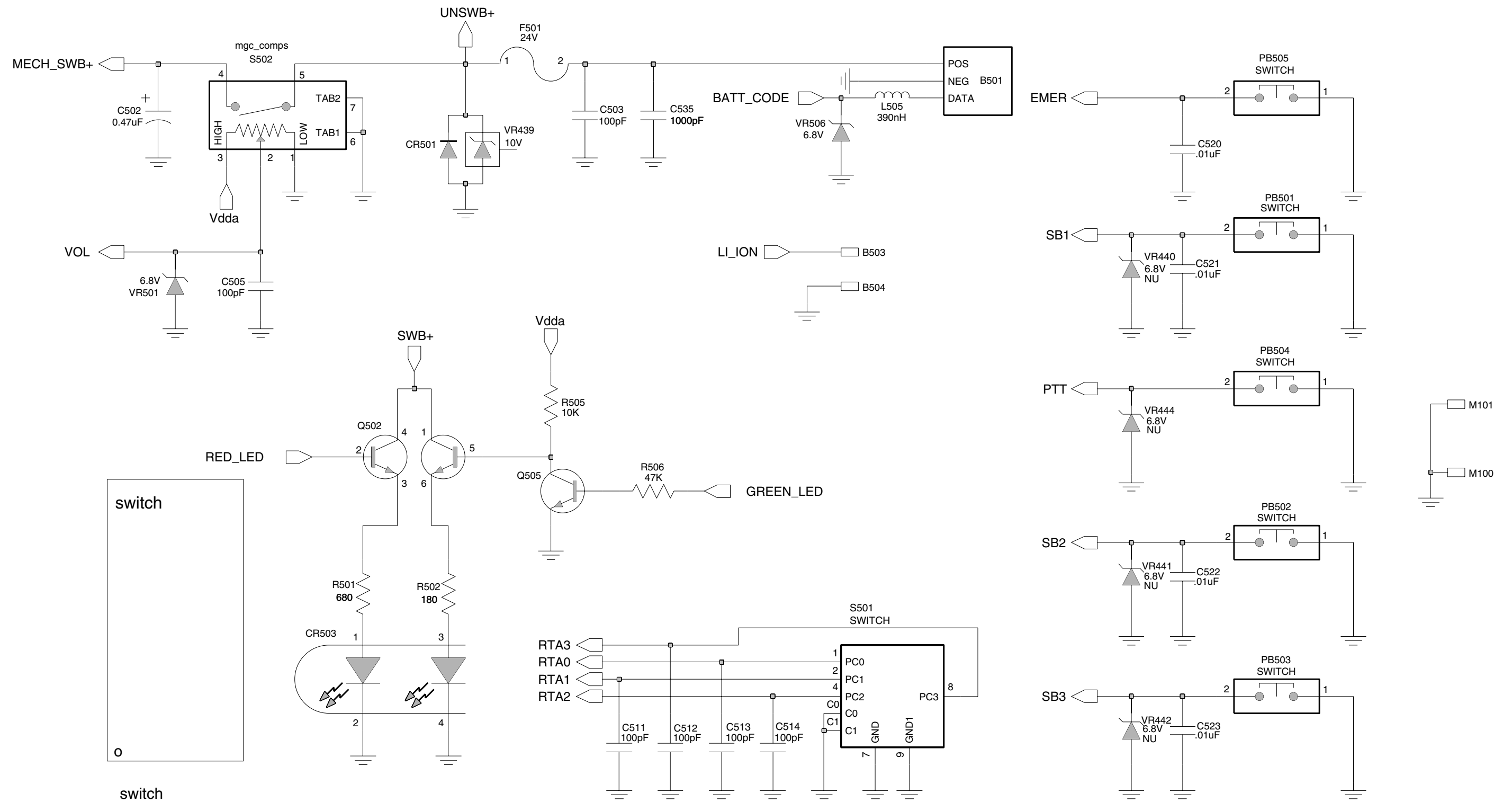


Figure 9-195. VHF (136-174 MHz) Controls And Switches Schematic Diagram

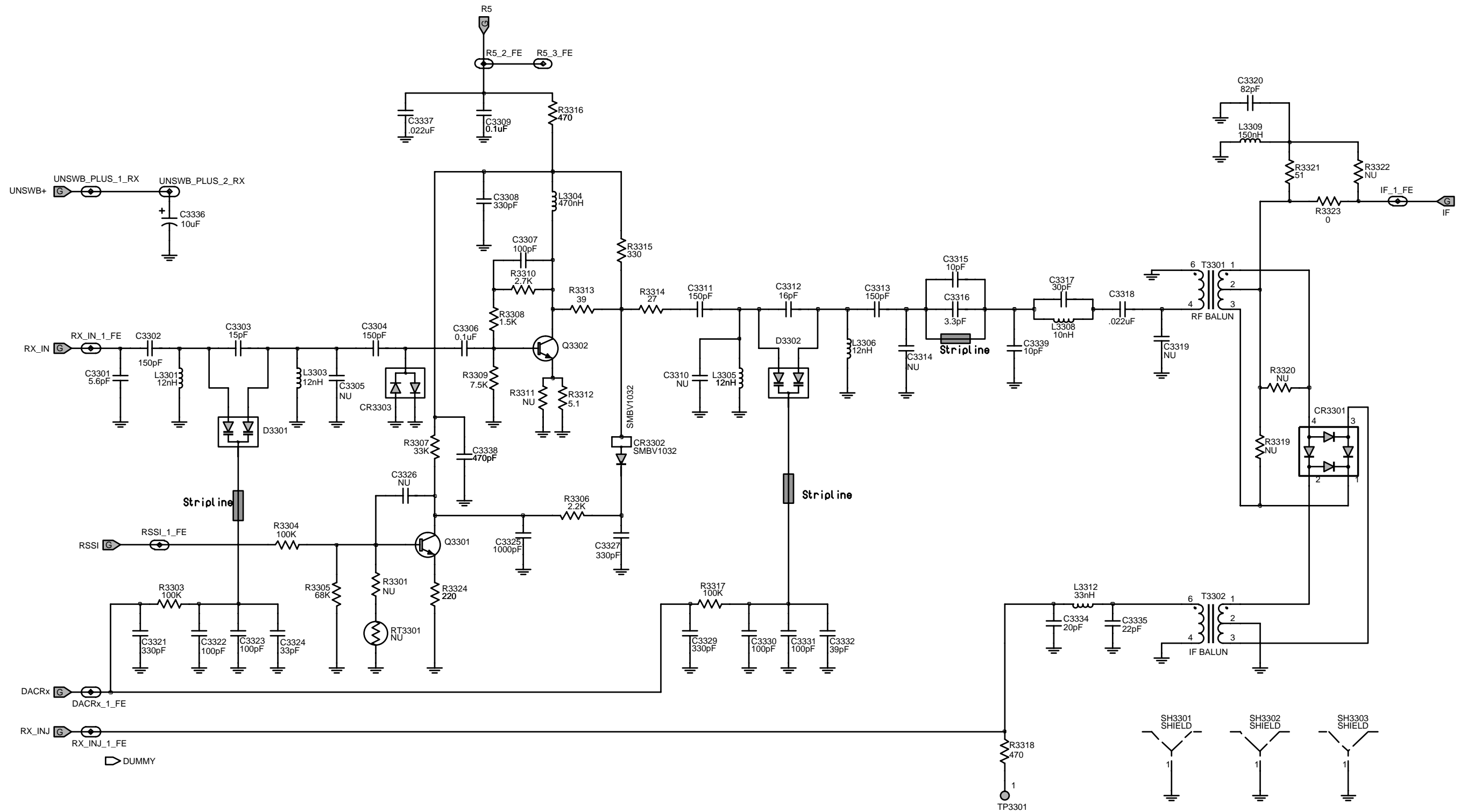


Figure 9-196. VHF (136-174 MHz) Receiver Front-End Schematic Diagram

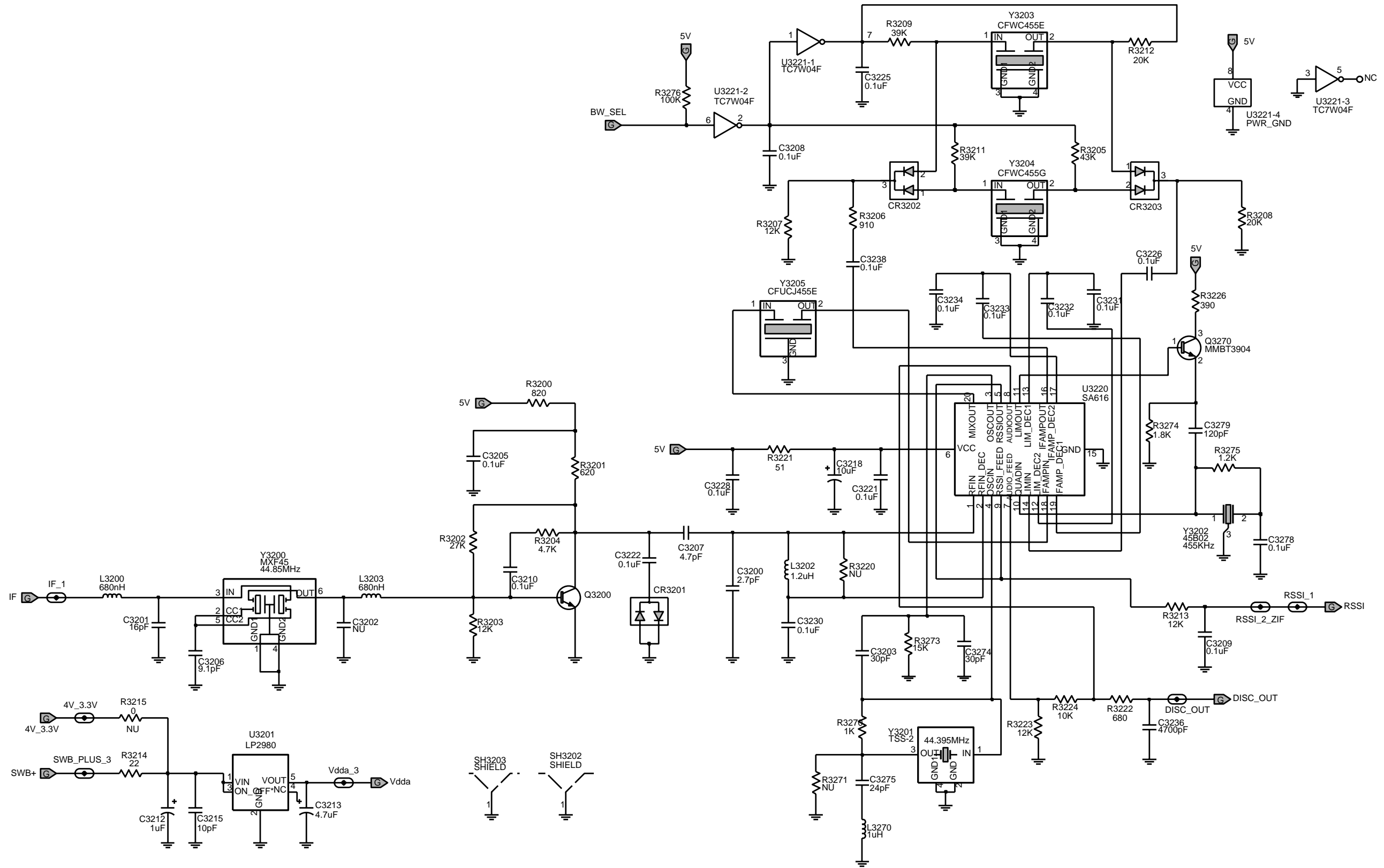
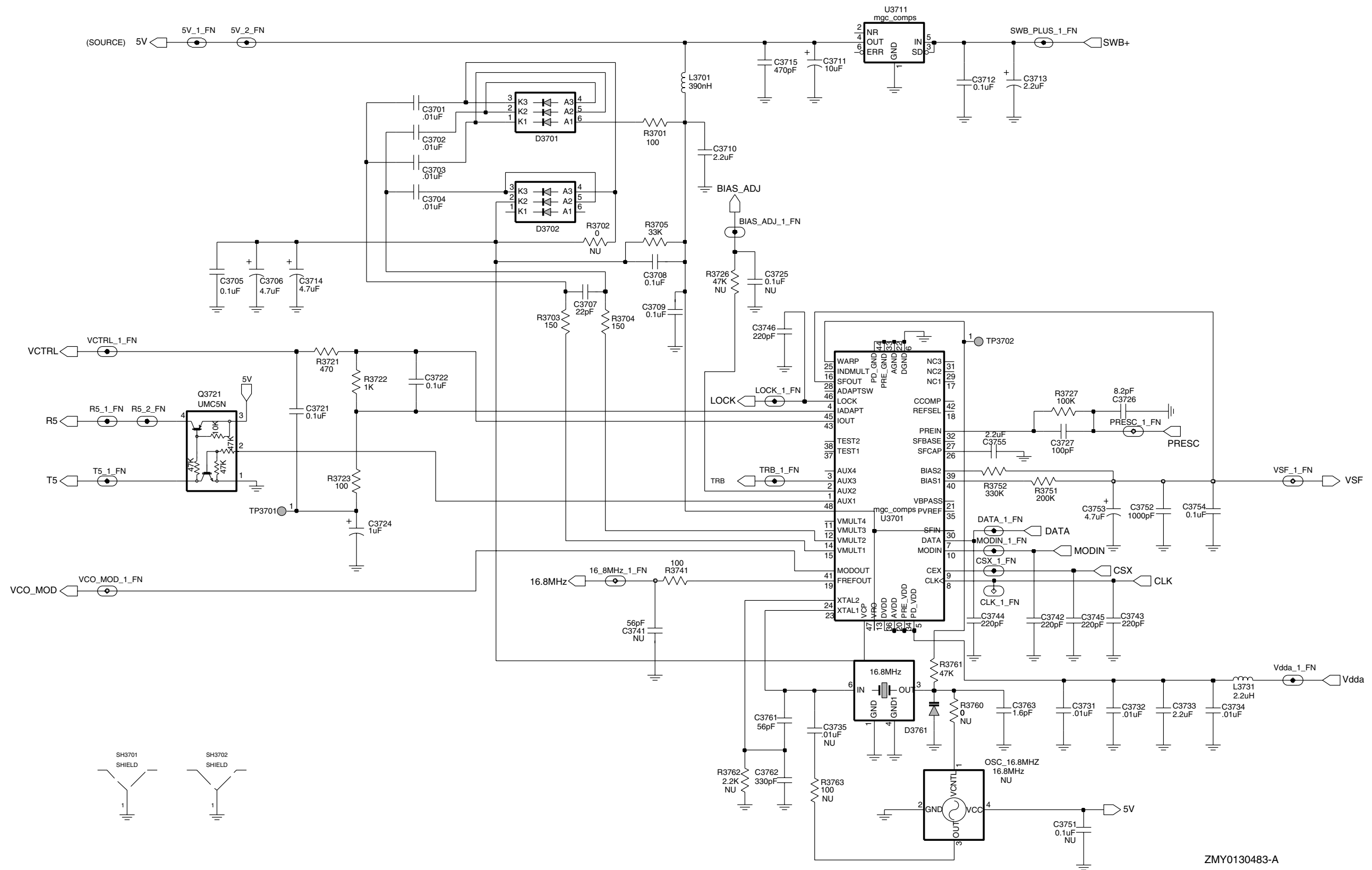


Figure 9-197. VHF (136-174 MHz) Receiver Back-End Schematic Diagram



ZMY0130483-A

Figure 9-198. VHF (136-174 MHz) Synthesizer Schematic Diagram

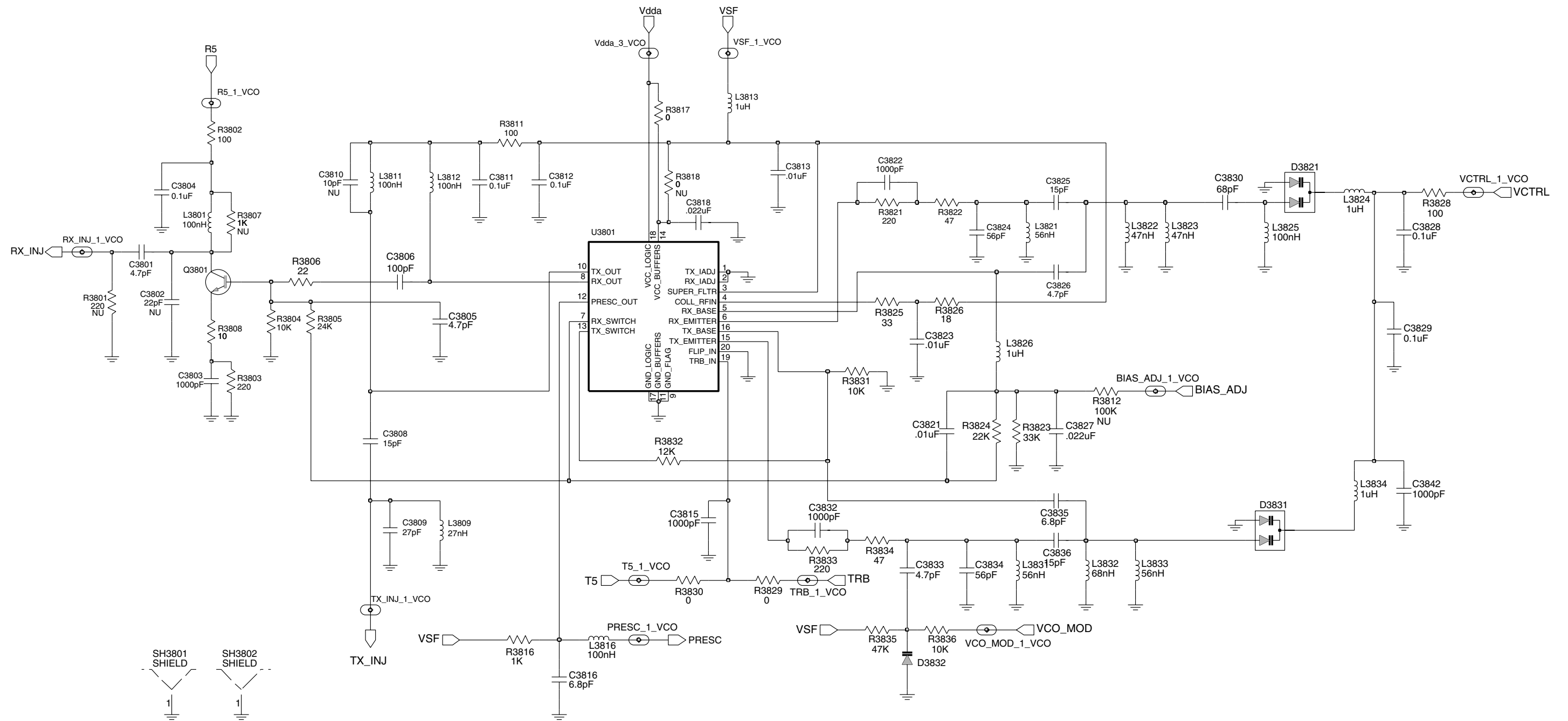


Figure 9-199. VHF (136-174 MHz) Voltage Controlled Oscillator Schematic Diagram

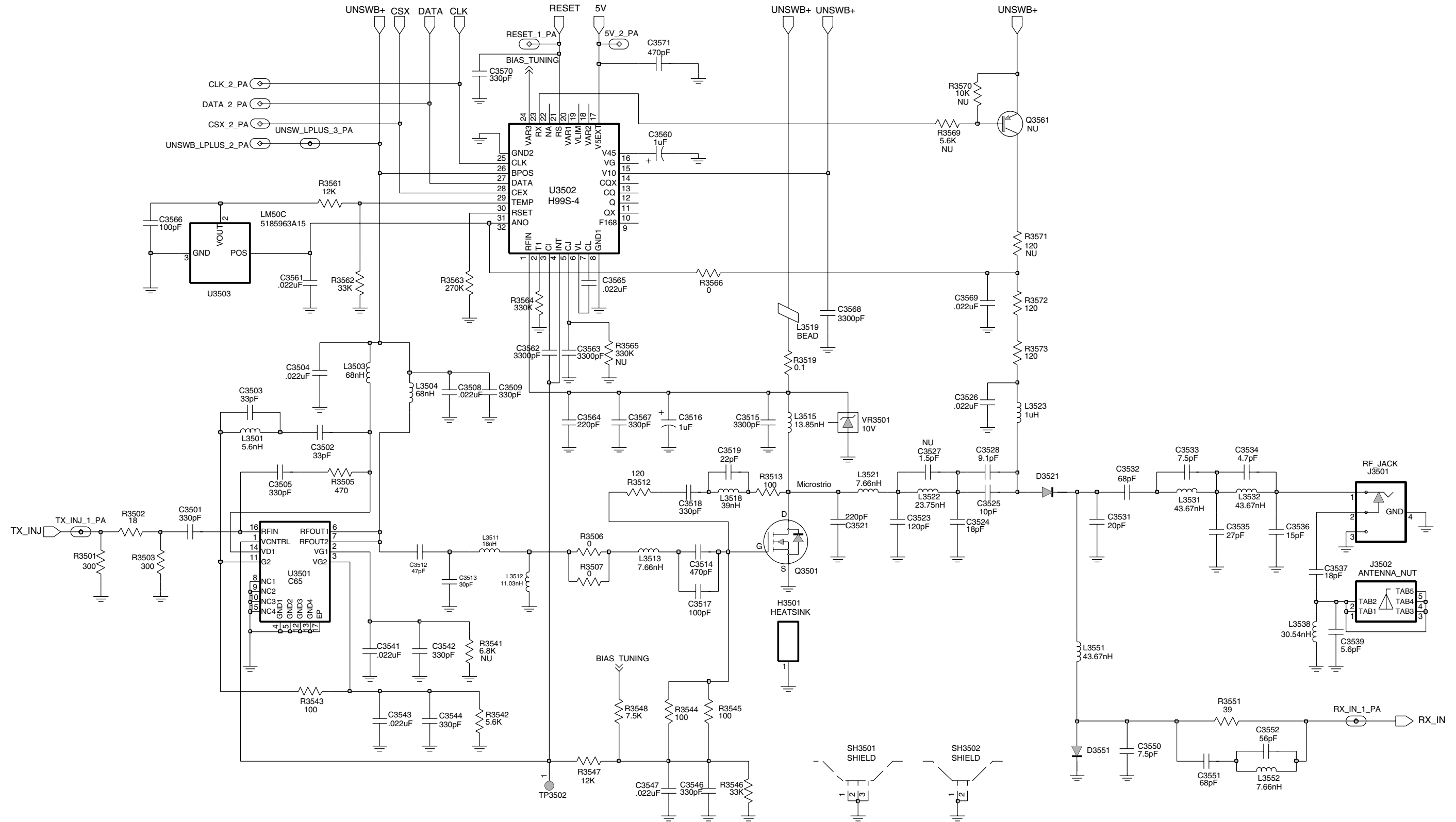


Figure 9-200. VHF (136-174 MHz) Transmitter Schematic Diagram

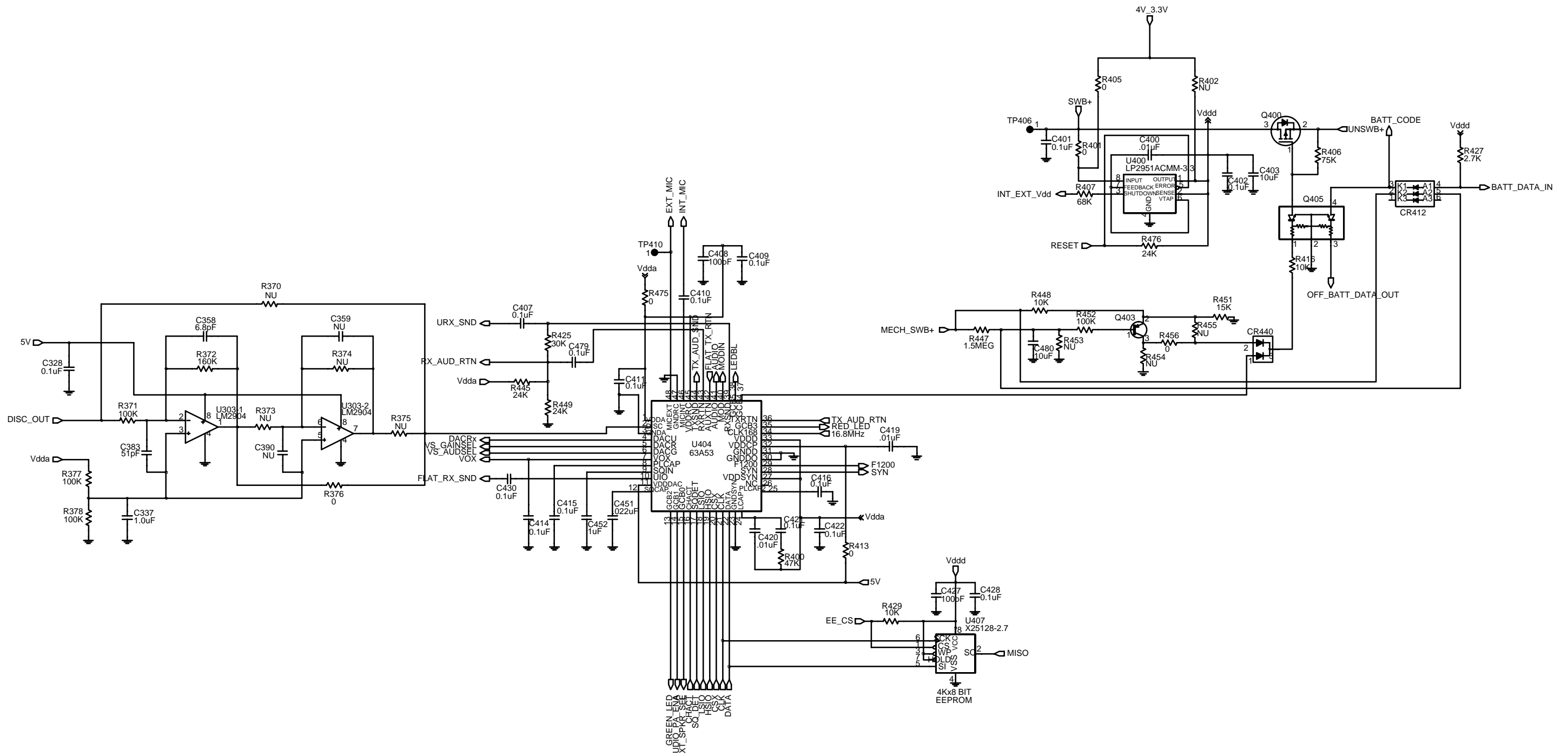


Figure 9-201. VHF (136-174 MHz) Controller ASFIC/ON_OFF Schematic Diagram

VHF (136-174 MHz) Radio Parts List (PCB 8486473Z03)

Circuit Ref	Motorola Part No.	Description
B501	0986237A02	Connector (Contact Battery)
B503	3980502Z01	Backup Contact, B+
B504	3980501Z01	Backup Contact, B-
C3200	2113743N12	2.7pF
C3201	2113743N31	16pF
C3202	NOT PLACED	
C3203	2113743N37	30pF
C3205	2113743M24	100nF
C3206	2109445U26	9.1pF 1%
C3207	2113743N18	4.7pF
C3208	2113743M24	100nF
C3209	2113743M24	100nF
C3210	2113743M24	100nF
C3212	2311049A07	1uF
C3213	2311049A56	4.7uF
C3215	2113743N26	10pF
C3218	2311049A59	4.7uF
C3221	2113743E20	0.1uF
C3222	2113743M24	100nF
C3225	2113743M24	100nF
C3226	2113743M24	100nF
C3228	2113743M24	100nF
C3230	2113743M24	100nF
C3231	2113743M24	100nF
C3232	2113743M24	100nF
C3233	2113743M24	100nF
C3234	2113743M24	100nF
C3236	2113743L33	4700pF
C3238	2113743M24	100nF
C3274	2113743N37	30pF
C3275	2113743N35	24pF
C3278	2113743E20	0.1uF
C3279	2113743N52	120pF
C328	2113743M24	100nF
C3301	2113743N20	5.6pF
C3302	2113743N54	150pF
C3303	2113743N30	15pF

Circuit Ref	Motorola Part No.	Description
C3304	2113743N54	150pF
C3305	NOT PLACED	
C3306	2113928N01	0.1uF
C3307	2113743N50	100pF
C3308	2113743L05	330pF
C3309	2113928N01	0.1uF
C3310	NOT PLACED	
C3311	2113743N54	150pF
C3312	2113743N31	16pF
C3313	2113743N54	150pF
C3314	NOT PLACED	
C3315	2113743N26	10pF
C3316	2113743N14	3.3pF
C3317	2113743N37	30pF
C3318	2113743M08	22000pF
C3319	NOT PLACED	
C3320	2113743N48	82pF
C3321	2113743L05	330pF
C3322	2113743N50	100pF
C3323	2113743N50	100pF
C3324	2113743N38	33pF
C3325	2113743L17	1000pF
C3326	NOT PLACED	
C3327	2113743L05	330pF
C3329	2113743L05	330pF
C3330	2113743N50	100pF
C3331	2113743N50	100pF
C3332	2113743N40	39pF
C3334	2113743N33	20pF
C3335	2113743N34	22pF
C3336	2311049A96	33uF
C3337	2113743M08	22000pF
C3338	2113743L09	470pF
C3339	2113743N26	10pF
C337	2113928P04	1uF
C3501	2113743L05	330pF
C3502	2113743N38	33pF
C3503	2113743N38	33pF
C3504	2113743M08	22000pF

Circuit Ref	Motorola Part No.	Description
C3505	2113743N38	33pF
C3508	2113743M08	22000pF
C3509	2113743L05	330pF
C3512	2113740F43	47pF
C3513	2113740F38	30pF
C3514	2113740F47	68pF
C3515	2113743L29	3300pF
C3516	2311049A08	1uF
C3517	2113740F47	68pF
C3518	NOT PLACED	
C3519	NOT PLACED	
C3521	2111078B51	220pF
C3523	2111078B44	120pF
C3524	2113740F34	20pF
C3525	2113740F27	10pF
C3526	2113743M08	22000pF
C3527	NOT PLACED	
C3528	2113740F27	10pF
C3531	2113740F34	20pF
C3532	2113740F47	68pF
C3533	2113740F24	7.5pF
C3534	2113740F19	4.7pF
C3535	2113740F37	27pF
C3536	2113740F31	15pF
C3537	2113740F33	18pF
C3539	2113740F29	12pF
C3541	2113743M08	22000pF
C3542	2113743L05	330pF
C3543	2113743M08	22000pF
C3544	2113743L05	330pF
C3546	2113743L05	330pF
C3547	2113743M08	22000pF
C3550	2113743N23	7.5pF
C3551	2113743N46	68pF
C3552	2113743N44	56pF
C3560	2311049A07	1uF
C3561	2113743M08	22000pF
C3562	2113743L29	3300pF
C3563	2113743L29	3300pF

Circuit Ref	Motorola Part No.	Description
C3564	2113743L01	220pF
C3565	2113743E07	0.022uF
C3566	2113743N50	100pF
C3567	2113743L05	330pF
C3568	2113743L29	3300pF
C3569	2113743M08	22000pF
C3570	2113743L05	330pF
C3571	2113743L09	470pF
C358	2113743N22	6.8pF
C359	2113743N31	16pF
C3701	2113743L41	10000pF
C3702	2113743L41	10000pF
C3703	2113743L41	10000pF
C3704	2113743L41	10000pF
C3705	2113743E20	0.1uF
C3706	2311049J11	4.7uF
C3707	2113743N34	22pF
C3708	2113928N01	0.1uF
C3709	2113928N01	0.1uF
C3710	2104993J02	2.2uF
C3711	2311049A69	10uF
C3712	2113928N01	0.1uF
C3713	2311049A09	2.2uF
C3714	2311049J11	4.7uF
C3715	2113743L09	470pF
C3721	2113743E20	0.1uF
C3722	2113743E20	0.1uF
C3724	2311049A08	1uF
C3725	NOT PLACED	
C3726	2113743N24	8.2pF
C3727	2113743N50	100pF
C3731	2113743L41	10000pF
C3732	2113743L41	10000pF
C3733	2104993J02	2.2uF
C3734	2113743L41	10000pF
C3741	NOT PLACED	
C3742	2113743L01	220pF
C3743	2113743L01	220pF
C3744	2113743L01	220pF

Circuit Ref	Motorola Part No.	Description
C3745	2113743L01	220pF
C3746	2113743L01	220pF
C3752	2113743L17	1000pF
C3753	2311049A56	4.7uF
C3754	2113928N01	0.1uF
C3755	2104993J02	2.2uF
C3761	2113743N42	47pF
C3762	2113740F63	330pF
C3763	NOT PLACED	
C3801	2113743N18	4.7pF
C3802	NOT PLACED	
C3803	2113743L17	1000pF
C3804	2113743E20	0.1uF
C3805	2113743N18	4.7pF
C3806	2113743N50	100pF
C3808	2113743N30	15pF
C3809	2113743N36	27pF
C3810	NOT PLACED	
C3811	2113928N01	0.1uF
C3812	2113928N01	0.1uF
C3813	2113743L41	10000pF
C3815	2113743L17	1000pF
C3816	2113743N22	6.8pF
C3818	2113743E07	0.022uF
C3821	2113743L41	10000pF
C3822	2113743L17	1000pF
C3823	2113743L41	10000pF
C3824	2113743N44	56pF
C3825	2113743N30	15pF
C3826	2113743N18	4.7pF
C3827	2113743E07	0.022uF
C3828	2185895Z01	0.01uF
C3829	2185895Z01	0.01uF
C383	2113743N43	51pF
C3830	2113743N46	68pF
C3832	2113743L17	1000pF
C3833	2113743N18	4.7pF
C3834	2113743N44	56pF
C3835	2113743N22	6.8pF

Circuit Ref	Motorola Part No.	Description
C3836	2113743N30	15pF
C3842	2113743L17	1000pF
C390	2113743N43	51pF
C400	2113743L41	10000pF
C401	2113928N01	0.1uF
C402	2113928N01	0.1uF
C4020	NOT PLACED	
C4021	NOT PLACED	
C403	2113743G24	2.2uF
C407	2113928N01	0.1uF
C408	2113743N50	100pF
C409	2113928N01	0.1uF
C410	2113928N01	0.1uF
C411	2113928N01	0.1uF
C414	2113928N01	0.1uF
C415	2185895Z01	0.01uF
C416	2113928N01	0.1uF
C419	2113743L41	10000pF
C420	2113743L41	10000pF
C421	2113928N01	0.1uF
C422	2113928N01	0.1uF
C423	2113743N50	100pF
C424	2311049A59	10uF
C425	2113928N01	0.1uF
C426	2113743N50	100pF
C427	2113743N50	100pF
C428	2113928N01	0.1uF
C429	2113928N01	0.1uF
C430	2113928N01 0662057M01	0.1uF, 10% 0 (SUB on LS+ Models Only)
C431	2113743N50	100pF
C432	NOT PLACED	
C433	2113743N34	22pF
C434	2113928N01	0.1uF
C435	2113928N01	0.1uF
C436	2113743N34	22pF
C437	2113743N34	22pF
C440	2113743G26	4.7uF
C441	2113743L09	470pF

Circuit Ref	Motorola Part No.	Description
C442	2113743E20	0.1uF
C443	2113928N01	0.1uF
C444	2113743N50	100pF
C445	2113743L09	470pF
C446	2113743L09	470pF
C447	2113928N01	0.1uF
C448	2113928N01	0.1uF
C449	2113743N50	100pF
C450	NOT PLACED	
C451	2113743M08	22000pF
C452	2113743B29	1uF
C453	2113743N50	100pF
C456	2113743N50	100pF
C458	2113743N50	100pF
C459	2113743N50	100pF
C463	2113743N50	100pF
C466	2113743N50	100pF
C467	2113928N01	0.1uF
C471	2113743L09	470pF
C472	2113743L09	470pF
C473	2113743L09	470pF
C474	2113743L41	10000pF
C475	2113743H14	10uF
C476	2113928D08	10uF
C477	2113743L17	1000pF
C478	2113743L17	1000pF
C479	2113928N01	0.1uF
C480	2113928D08	10uF
C481	2113928N01	0.1uF
C482	2113928N01 0662057M01	0.1uF, 10% 0 (SUB on LS+ Models Only)
C483	2113743L09	470pF
C484	2113743L09	470pF
C490	2113743L09	470pF
C491	2113743L09	470pF
C492	2113743L09	470pF
C493	2113743N50	100pF
C494	2113743N50	100pF
C495	2113743L09	470pF

Circuit Ref	Motorola Part No.	Description
C496	2113743L09	470pF
C497	2113743L09	470pF
C502	2311049A05	0.47uF
C503	2113743N50	100pF
C505	2113743N50	100pF
C511	2113743N50	100pF
C512	2113743N50	100pF
C513	2113743N50	100pF
C514	2113743N50	100pF
C520	2113743L41	10000pF
C521	2113743L41	10000pF
C522	2113743L41	10000pF
C523	2113743L41	10000pF
C535	2113743L17	1000pF
CR3201	4813825A19	Schottky Diode
CR3202	4802245J97	Band Switching Diode
CR3203	4802245J97	Band Switching Diode
CR3301	4802245J42	Ring Quad Diode
CR3302	4805129M96	Dual Diode
CR3303	4880154K03	Dual Diode
CR411	4802245J62	Schottkt Diode
CR412	4802245J62	Schottkt Diode
CR413	4802245J62	Schottkt Diode
CR440	4813833C02	Dual Diode
CR501	4880107R01	Rectifier
CR503	4805729G49	Red / Yellow LED
D3301	4802081B58	Dual Diode
D3302	4802081B58	Dual Diode
D3521	4880973Z02	Pin Diode
D3551	4880973Z02	Pin Diode
D3701	4802233J09	Triple Diode
D3702	4802233J09	Triple Diode
D3761	4862824C03	Varactor Diode
D3821	4805649Q13	Varactor Diode
D3831	4805649Q13	Varactor Diode
D3832	4862824C01	Varactor Diode
E400	2480640Z01	Ferrite Bead
E401	2480640Z01	Ferrite Bead
E402	2480640Z01	Ferrite Bead

Circuit Ref	Motorola Part No.	Description
E403	2480640Z01	Ferrite Bead
E404	2480640Z01	Ferrite Bead
E405	2480640Z01	Ferrite Bead
E406	2480640Z01	Ferrite Bead
E407	2480640Z01	Ferrite Bead
E408	2480640Z01	Ferrite Bead
E409	2480640Z01	Ferrite Bead
F501	6580542Z01	Fuse 3A
FL401	4870368G02	Real Time Clock Crystal Oscillator
H3501	2680499Z01	Heat Spreader
J3501	0985613Z01	RF Jack
J3502	0280519Z04	Antenna Nut
J400	0905505Y04	40-Pin Connector
J403	0905505Y02	20-Pin Connector
L3200	2413926K33	680nH
L3202	2413923A25	1200nH
L3203	2413926K33	680nH
L3270	2462587N68	1000nH
L3301	2462587T35	12nH
L3303	2462587T35	12nH
L3304	2462587T23	470nH
L3305	2462587T35	12nH
L3306	2462587T35	12nH
L3308	2462587T34	10nH
L3309	2462587N55	150nH
L3312	2462587V28	33nH
L3501	2413926H09	5.6nH
L3503	2462587V32	68nH
L3504	2462587N51	68nH
L3511	2462587N44	18nH
L3512	2479990B01	11.03nH
L3513	2479990A02	7.6nH
L3515	2479990C03	13.85nH
L3518	NOT PLACED	
L3519	2484657R01	Ferrite Bead
L3521	2479990A02	7.6nH
L3522	2479990E01	23.75nH
L3523	2462587N68	1000nH

Circuit Ref	Motorola Part No.	Description
L3531	2479990N01	43.67nH
L3532	2479990N01	43.67nH
L3538	2479990M01	30.54nH
L3551	2479990N01	43.67nH
L3552	2479990A02	7.6nH
L3701	2462587Q42	390nH
L3731	2462587Q20	2,200nH
L3801	2462587V34	100nH
L3809	2462587V27	27nH
L3811	2462587V34	100nH
L3812	2462587V34	100nH
L3813	2462587Q47	1000nH
L3816	2462587V34	100nH
L3821	2462587N50	56nH
L3822	2462587N49	47nH
L3823	2462587N49	47nH
L3824	2462587N68	1000nH
L3825	2462587V34	100nH
L3826	2462587N68	1000nH
L3831	2462587N50	56nH
L3832	2462587N51	68nH
L3833	2462587N50	56nH
L3834	2462587N68	1000nH
L400	2462587Q42	390nH
L401	2462587Q42	390nH
L410	2462587Q42	390nH
L411	2462587Q42	390nH
L505	2462587Q42	390nH
PB501	4086470Z01	Tactile Switch
PB502	4086470Z01	Tactile Switch
PB503	4086470Z01	Tactile Switch
PB504	4086470Z01	Tactile Switch
PB505	4086470Z01	Tactile Switch
Q3200	4802197J95	NPN Transistor
Q3270	4813824A10	NPN Transistor
Q3301	4880214G02	NPN Transistor
Q3302	4802197J95	NPN Transistor
Q3501	4813828A08	RF Power Amplifier
Q3561	4813824A17	PNP Transistor

Circuit Ref	Motorola Part No.	Description
Q3721	4809939C05	Dual NPN/PNP Transistor
Q3801	4802197J95	NPN Transistor
Q400	4809579E18	MOSFET P-chan Transistor
Q403	4813824A17	PNP Transistor
Q405	4802245J54	Dual NPN Transistor
Q410	4802245J54	Dual NPN Transistor
Q416	4809579E18	MOSFET P-chan Transistor
Q417	4809939C05	Dual NPN/PNP Transistor
Q502	5180159R01	Dual NPN Transistor
Q505	4880214G02	NPN Transistor
R3200	0662057M72	820
R3201	0662057M69	620
R3202	0662057N09	27K
R3203	0662057N01	12K
R3204	0662057M90	4700
R3205	0662057N06	20K
R3206	0662057M73	910
R3207	0662057N01	12K
R3208	0662057N06	20K
R3209	0662057N13	39K
R3211	0662057N13	39K
R3212	0662057N06	20K
R3213	0662057N01	12K
R3214	0662057M34	22
R3215	0662057M01	0
R3220	NOT PLACED	
R3221	0662057M43	51
R3222	0662057M70	680
R3223	0662057V04	12K 1%
R3224	0662057V02	10K 1%
R3226	0662057M64	390
R3270	0662057M74	1000
R3271	NOT PLACED	
R3273	0662057N03	15K
R3274	0662057M80	1800
R3275	0662057M76	1200
R3276	0662057N23	100K
R3301	NOT PLACED	
R3303	0662057N23	100K

Circuit Ref	Motorola Part No.	Description
R3304	0662057N23	100K
R3305	0662057N19	68K
R3306	0662057M82	2200
R3307	0662057N11	33K
R3308	0662057M78	1500
R3309	0662057M95	'7500
R3310	0662057M84	2700
R3311	NOT PLACED	
R3312	0662057M19	5.1
R3313	0662057M40	39
R3314	0662057M35	24
R3315	0662057M62	330
R3316	0662057M66	470
R3317	0662057N23	100K
R3318	0662057M66	470
R3319	NOT PLACED	
R3320	NOT PLACED	
R3321	0662057M43	51
R3322	NOT PLACED	
R3323	0662057M01	0
R3324	0662057M58	220
R3501	0662057M61	300
R3502	0662057M32	18
R3503	0662057M61	300
R3505	0662057M62	330
R3506	0662057B62	3.9
R3507	0662057B62	3.9
R3512	NOT PLACED	
R3513	NOT PLACED	
R3519	0680539Z01	0.1
R3541	0662057N13	39K
R3542	0662057M92	5600
R3543	0662057M50	100
R3544	0662057A25	100
R3545	0662057A25	100
R3546	0662057N01	12K
R3547	0662057N11	33K
R3548	0662057N07	22K
R3551	0662057M40	39

Circuit Ref	Motorola Part No.	Description
R3561	0662057N01	12K
R3562	0662057N11	33K
R3563	0662057N33	270K
R3564	0662057N35	330K
R3565	NOT PLACED	
R3566	NOT PLACED	
R3569	0662057M92	5600
R3570	0662057M98	10K
R3571	0662057A27	120
R3572	0662057A27	120
R3573	0662057A27	120
R370	NOT PLACED	
R3701	0662057M50	100
R3702	NOT PLACED	
R3703	0662057M54	150
R3704	0662057M54	150
R3705	0662057N11	33K
R371	0662057N23	100K
R372	0662057N28	160K
R3721	0662057M66	470
R3722	0662057M68	560
R3723	0662057M50	100
R3726	NOT PLACED	
R3727	0662057N23	100K
R373	NOT PLACED	
R374	0662057N23	100K
R3741	0662057M50	100
R375	NOT PLACED	
R3751	0662057N30	200K
R3752	0662057N29	180K
R376	0662057M01	0
R3761	0662057N15	47K
R3762	NOT PLACED	
R377	0662057N23	100K
R378	0662057N23	100K
R3801	NOT PLACED	
R3802	0662057M50	100
R3803	0662057M58	220
R3804	0662057M98	10K

Circuit Ref	Motorola Part No.	Description
R3805	0662057N08	24K
R3806	0662057M34	22
R3807	NOT PLACED	
R3808	0662057M26	10
R3811	0662057M50	100
R3812	NOT PLACED	
R3816	0662057M74	1000
R3817	0662057M01	0
R3818	NOT PLACED	
R3821	0662057M58	220
R3822	0662057M42	47
R3823	0662057N11	33K
R3824	0662057N07	22K
R3825	0662057M38	33
R3826	0662057M32	18
R3828	0662057M50	100
R3829	0662057M01	0
R3830	NOT PLACED	
R3831	0662057M98	10K
R3832	0662057N01	12K
R3833	0662057M58	220
R3834	0662057M42	47
R3835	0662057N15	47K
R3836	0662057M98	10K
R400	0662057N15	47K
R401	0662057M01	0
R402	NOT PLACED	
R403	NOT PLACED	
R405	0662057M01	0
R406	0662057N20	'75K
R407	0662057N19	68K
R408	NOT PLACED	
R409	0662057M98	10K
R410	0662057N23	100K
R411	0662057M98	10K
R413	0662057M01	0
R414	0662057V34	180K 1%
R415	0662057V26	91K 1%
R416	0662057M98	10K

Circuit Ref	Motorola Part No.	Description
R418	0662057M01	0
R419	0662057M67	510
R420	0662057B46	10M
R421	0662057M81	2000
R423	0662057N21	82K
R424	0662057N12	36K
R425	0662057N10	30K
R426	0662057N35	330K
R427	0662057M84	2700
R428	0662057M10	2.2'
R429	0662057N20	'75K
R431	0662057N39	470K
R432	0662057N16	51K
R434	0662057M62	330
R435	0662057M81	2000
R436	0662057M01	0
R437	NOT PLACED	
R445	0662057N08	24K
R447	0662057N23	100K
R448	0662057M98	10K
R449	0662057N08	24K
R450	0683962T45	68
R451	0662057N03	15K
R452	0662057N23	100K
R453	NOT PLACED	
R454	NOT PLACED	
R455	NOT PLACED	
R456	0662057M01	0
R457	0662057M98	10K
R460	0662057M90	4700
R461	0662057M56	180
R462	0662057M98	10K
R463	0662057M61	300
R471	0662057N06	20K
R472	0662057M93	6200
R473	0662057M26	10
R475	0662057M01	0
R476	0662057N35	330K
R477	0662057M74	1000

Circuit Ref	Motorola Part No.	Description
R478	0662057M98	10K
R481	0662057N08	24K
R492	0662057M01	0
R498	0662057M98	10K
R499	0662057M98	10K
R501	0662057M70	680
R502	0662057M56	180
R505	0662057M98	10K
R506	0662057N15	47K
RT3301	NOT PLACED	
RT400	0680590Z01	Thermistor 33K
S501	4080710Z09	Frequency Switch
S502	1880619Z02	Volume/on-off Switch
SH3202	2686539Z01	IFIC Shield
SH3203	2686527Z01	Crystal Filter Shield
SH3301	2686081B01	RX Frontend bottom Shield
SH3302	2686081B05	Mixer Shield
SH3303	2686081B06	RX Frontend top Shield
SH3501	2686081B03	Harmonic Filter Shield
SH3502	2686081B04	PA Driver Shield
SH3701	2680511Z01	Synthesizer top Shield
SH3702	2680511Z01	Synthesizer bottom Shield
SH3801	2680513Z01	VCO top shield
SH3802	2680514Z01	VCO Bottom Shield
SH400	2680505Z01	Controller Memory Shield
SH401	2680506Z01	Controller on-off Shield
SH402	2680515Z01	Controller Microprocessor Shield
SH403	2680516Z01	Controller Asfic Shield
T3301	2580541Z02	Transformer
T3302	2580541Z02	Transformer
U303	5113818A01	Dual Op Amp
U3201	5102463J58	3.3V Regulator
U3220	5186144B01	IF IC
U3221	5109522E10	Inverter IC
U3501	5185130C65	LDMOS Driver IC
U3502	5185765B26	PCIC
U3503	5185963A15	Temperature Sensor
U3701	5185130C18	LV FRAC-N IC

Circuit Ref	Motorola Part No.	Description
U3711	5105739X05	5V Regulator
U3801	5105750U54	VCO BUFFER IC
U400	5102463J40	3.3V Regulator
U404	5185130C53	ASFIC CMP IC
U405	NOT PLACED	
U406	*5102463J59	128K X 8 FLASH ROM
U407	*5102463J64	16K X 8 EEPROM
U409	5102226J56	Microprocessor IC
U410	5102463J57	3.3V Regulator
U420	5102463J44	Audio PA
VR3501	4880140L17	Zener Diode
VR432	4805656W08	Zener Diode
VR433	4805656W08	Zener Diode
VR434	4802245J73	Zener Diode 6.8V
VR439	4880140L17	Zener Diode
VR440	NOT PLACED	
VR441	NOT PLACED	
VR442	NOT PLACED	
VR444	NOT PLACED	
VR447	4802245J74	Zener Diode 10V
VR448	4802245J74	Zener Diode 10V
VR449	4802245J74	Zener Diode 10V
VR450	4802245J75	Zener Diode 12V
VR460	4802245J73	Zener Diode 6.8V
VR501	4802245J73	Zener Diode 6.8V
VR506	4802245J73	Zener Diode 6.8V
Y3200	9180022M11	44.85MHZ Crystal Filter
Y3201	4802245J84	44.395MHz Crystal Oscillator
Y3202	9186145B02	455KHZ Discriminator
Y3203	9180469V05	455KHz 6-Pole Ceramic Filter
Y3204	9180469V03	455KHz 6-Pole Ceramic Filter
Y3205	9180468V05	455KHz 4-Pole Ceramic Filter
Y3761	4805875Z04	16.8 MHZ Crystal Oscillator
	8486473Z01	VHF main PC Board

* Motorola Depot Servicing only

9.23 VHF Circuit Board/Schematic Diagrams and Parts List (PCB 8486473Z04)

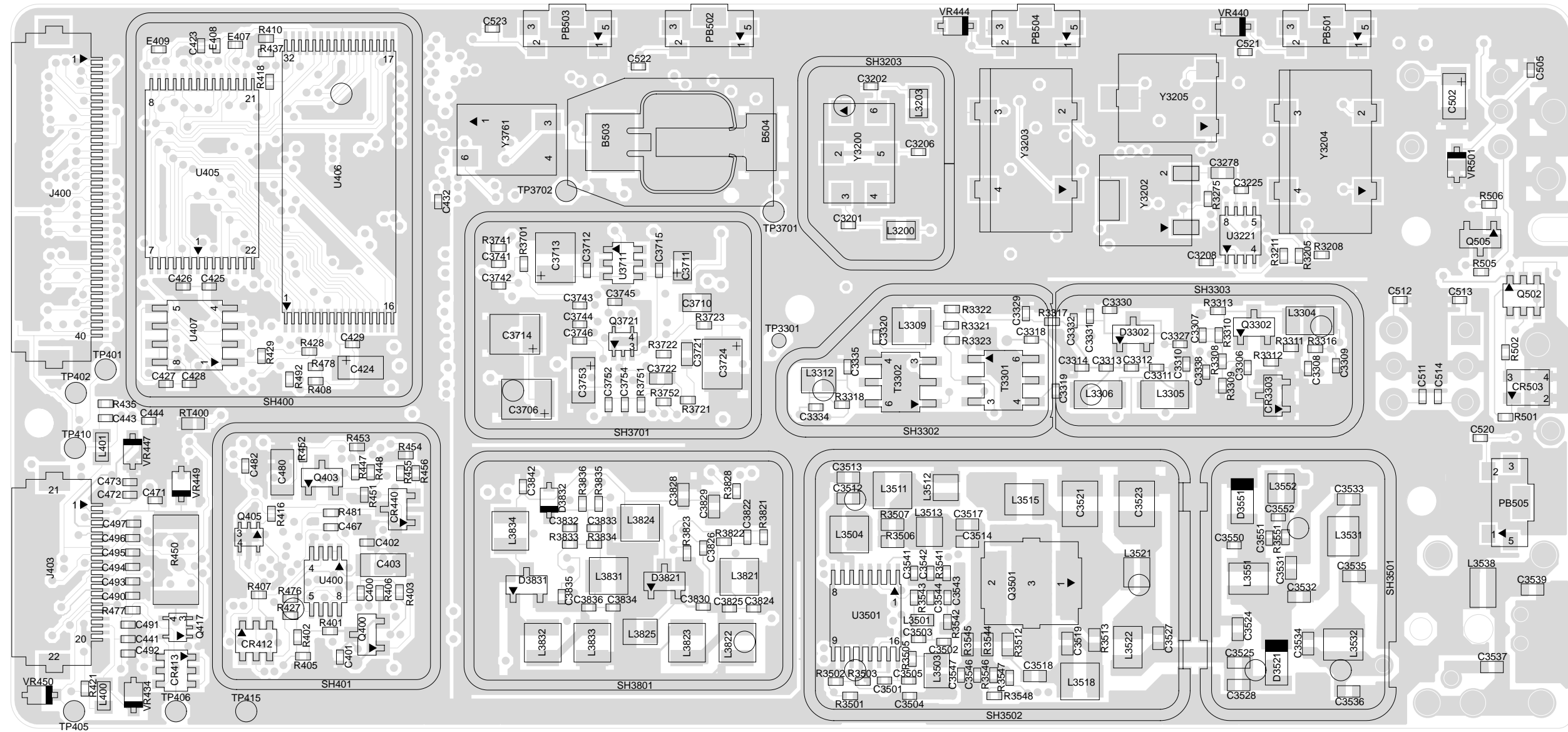


Figure 9-202. VHF (136-174 MHz) 5000/7000 Series Main Board Top Side PCB No. 8486473Z04

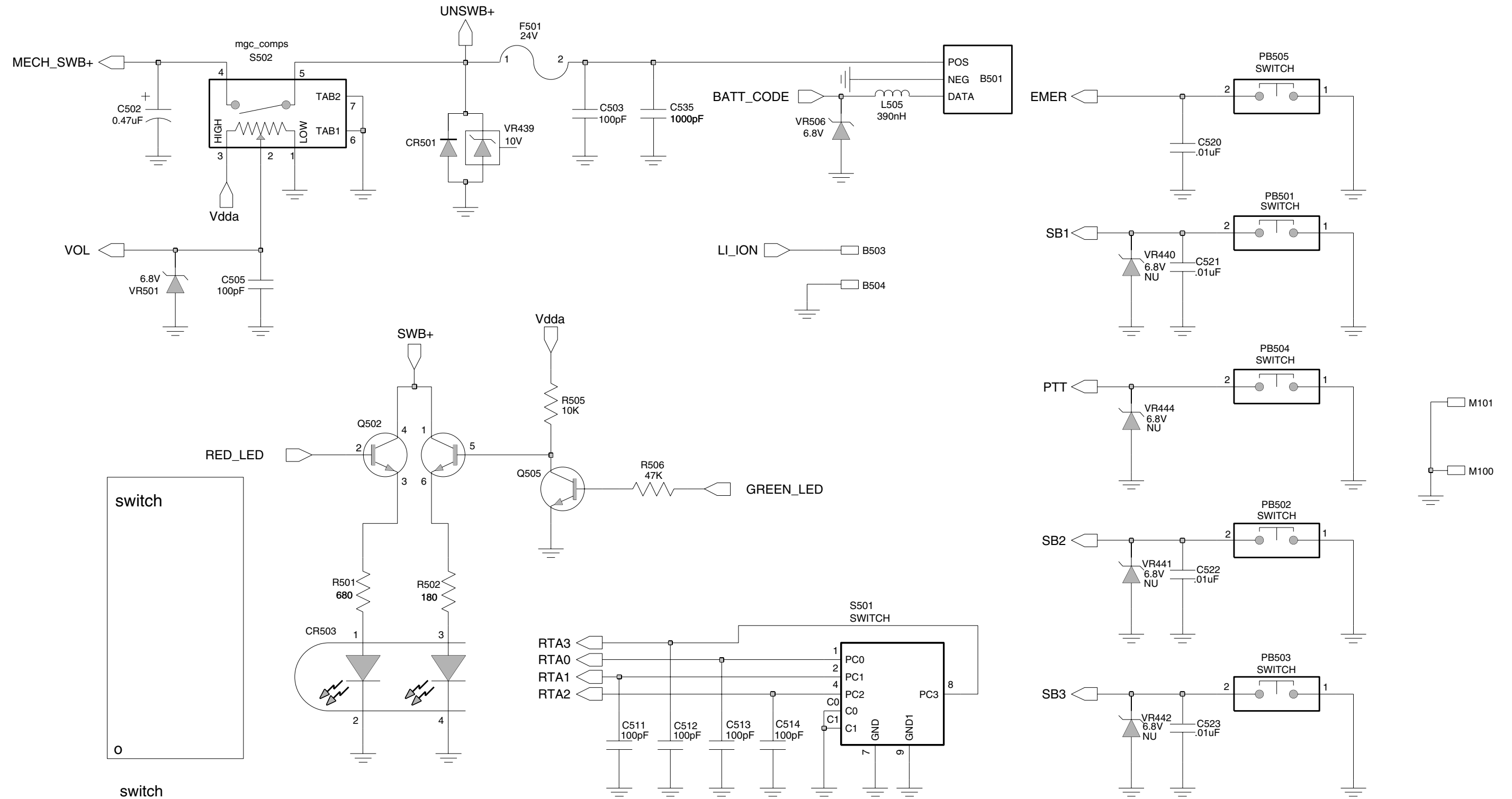


Figure 9-204. VHF (136-174 MHz) Controls And Switches Schematic Diagram

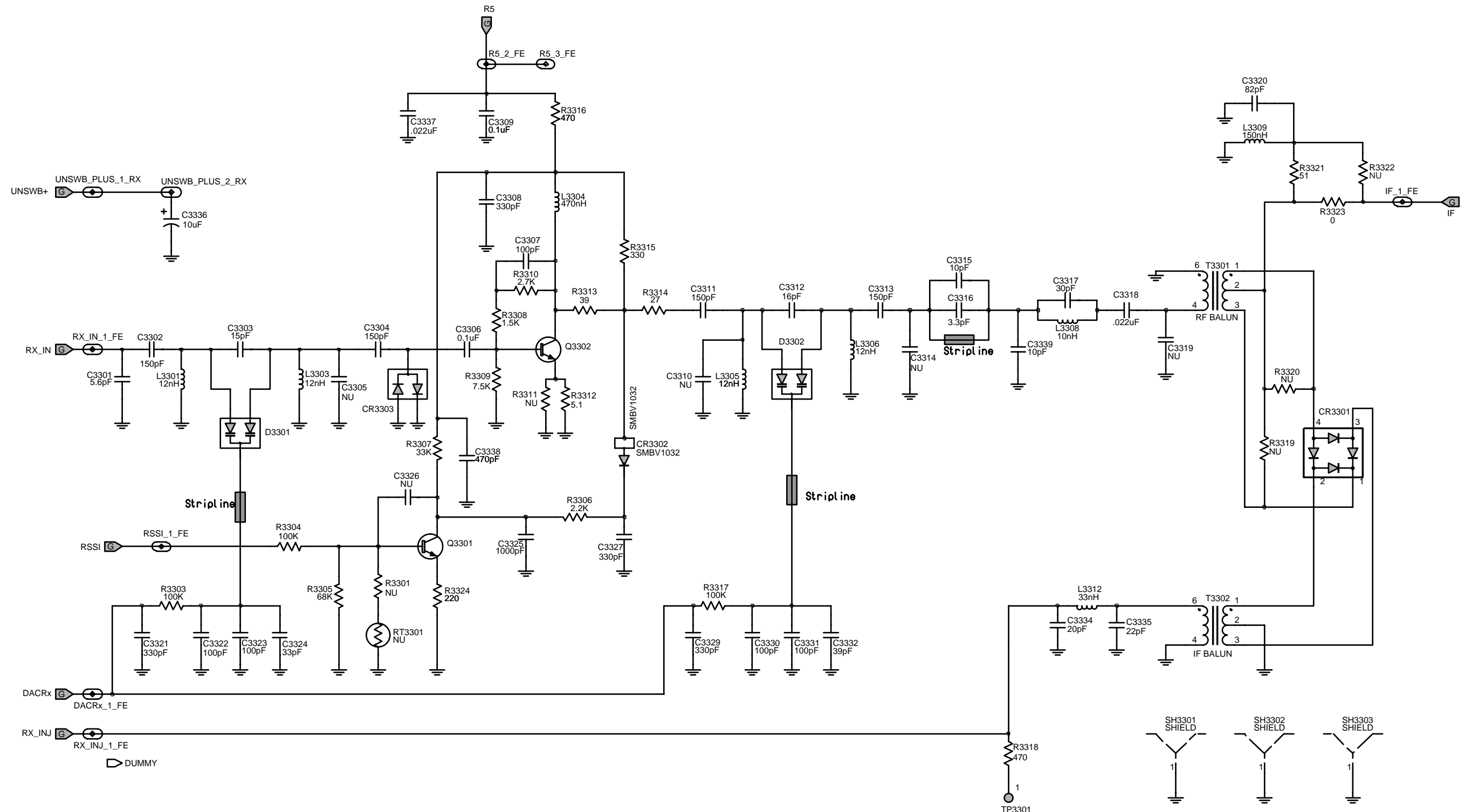


Figure 9-205. VHF (136-174 MHz) Receiver Front End Schematic Diagram

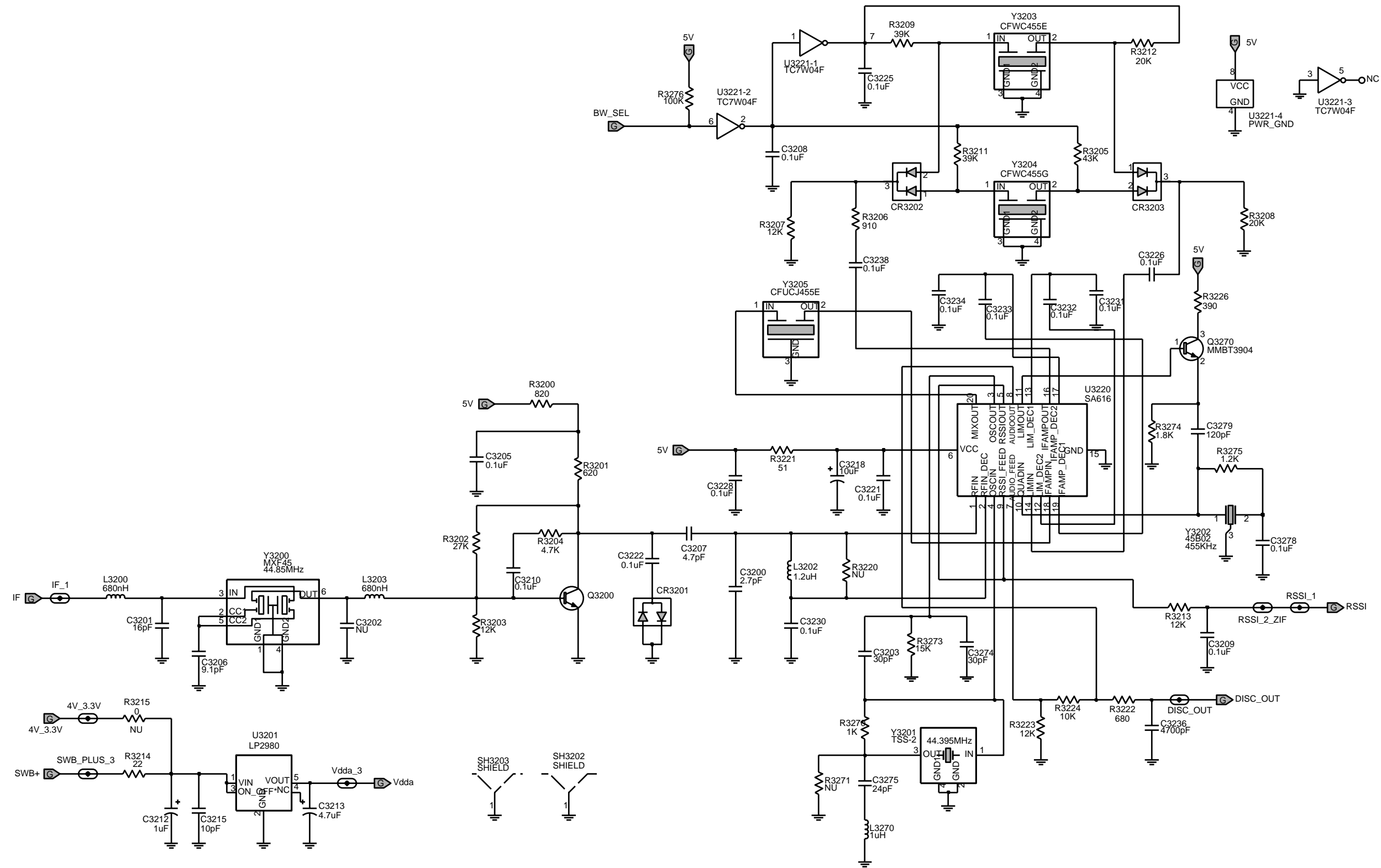
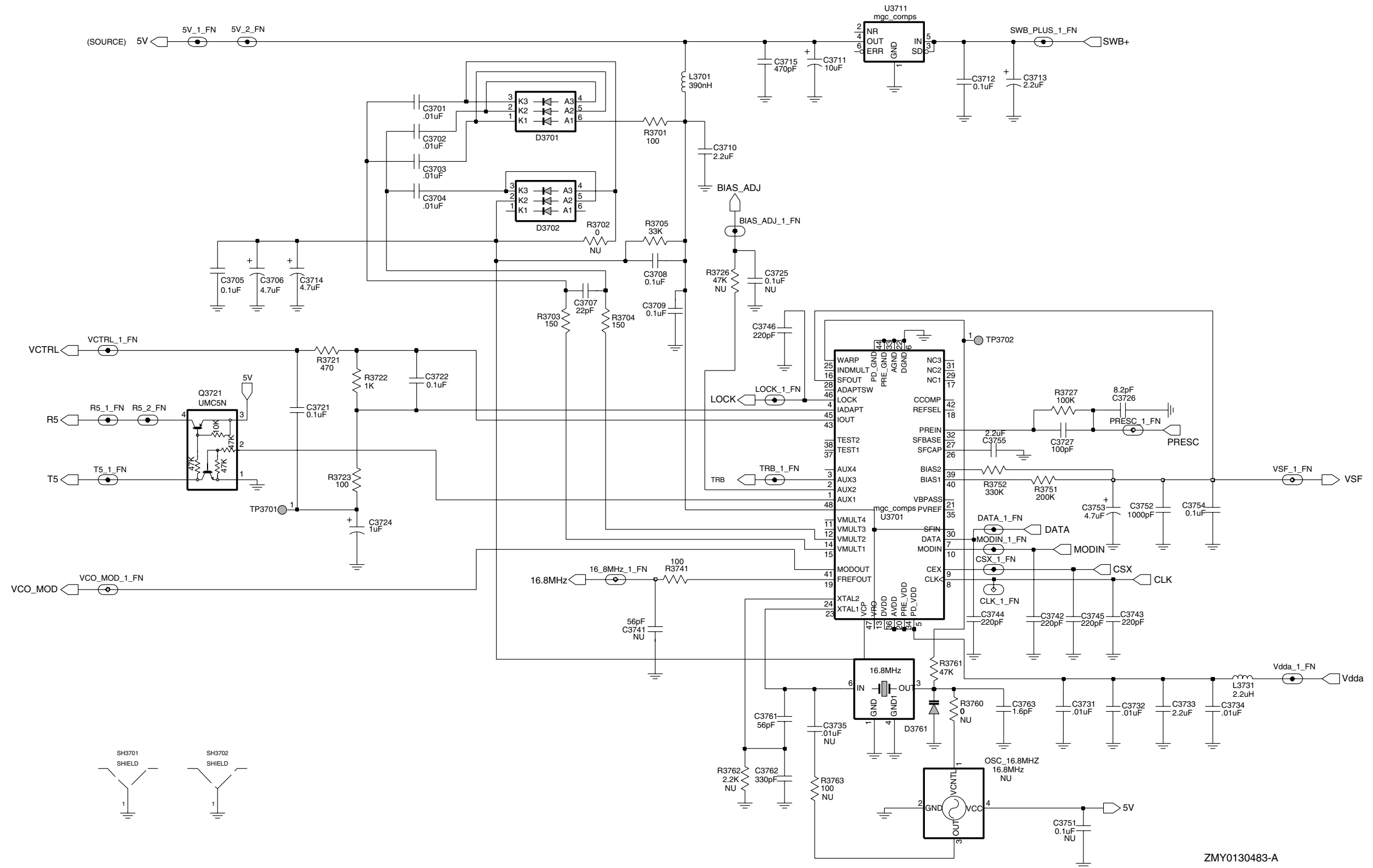


Figure 9-206. VHF (136-174 MHz) Receiver Back End Schematic Diagram



ZMY0130483-A

Figure 9-207. VHF (136-174 MHz) Synthesizer Schematic Diagram

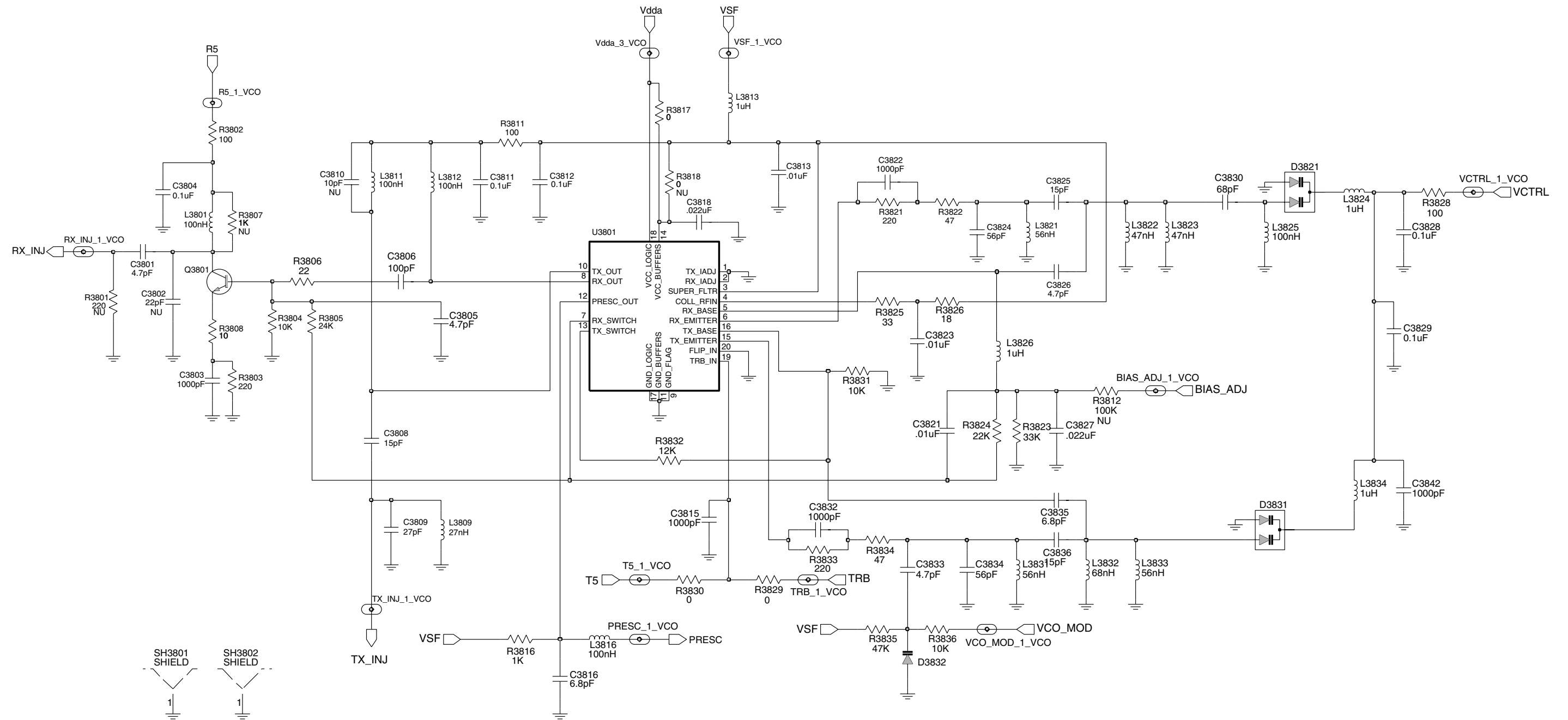


Figure 9-208. VHF (136-174 MHz) Voltage Controlled Oscillator Schematic Diagram

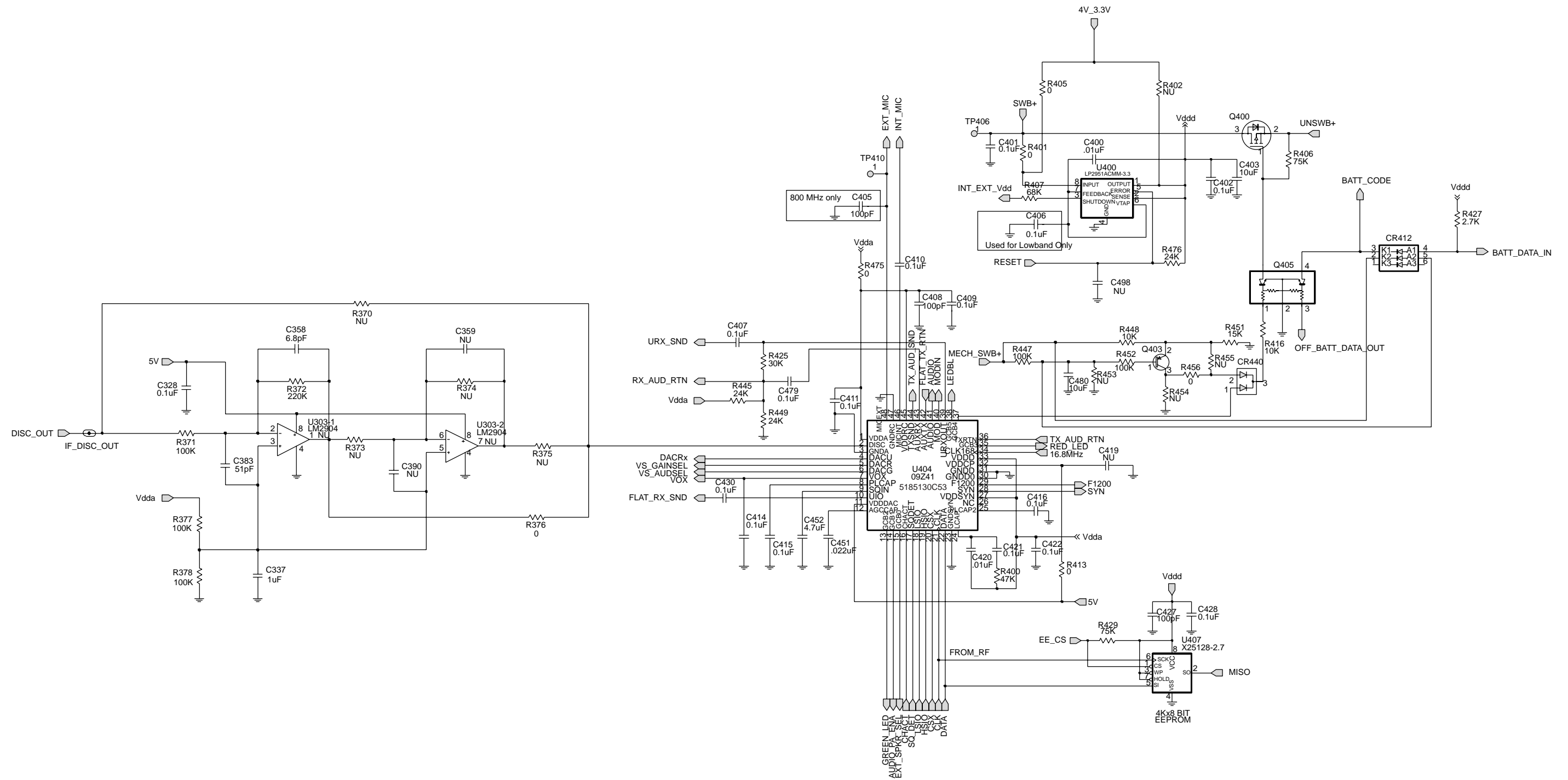


Figure 9-211. VHF (136-174 MHz) Controller ASFIC/ON_OFF Schematic Diagram

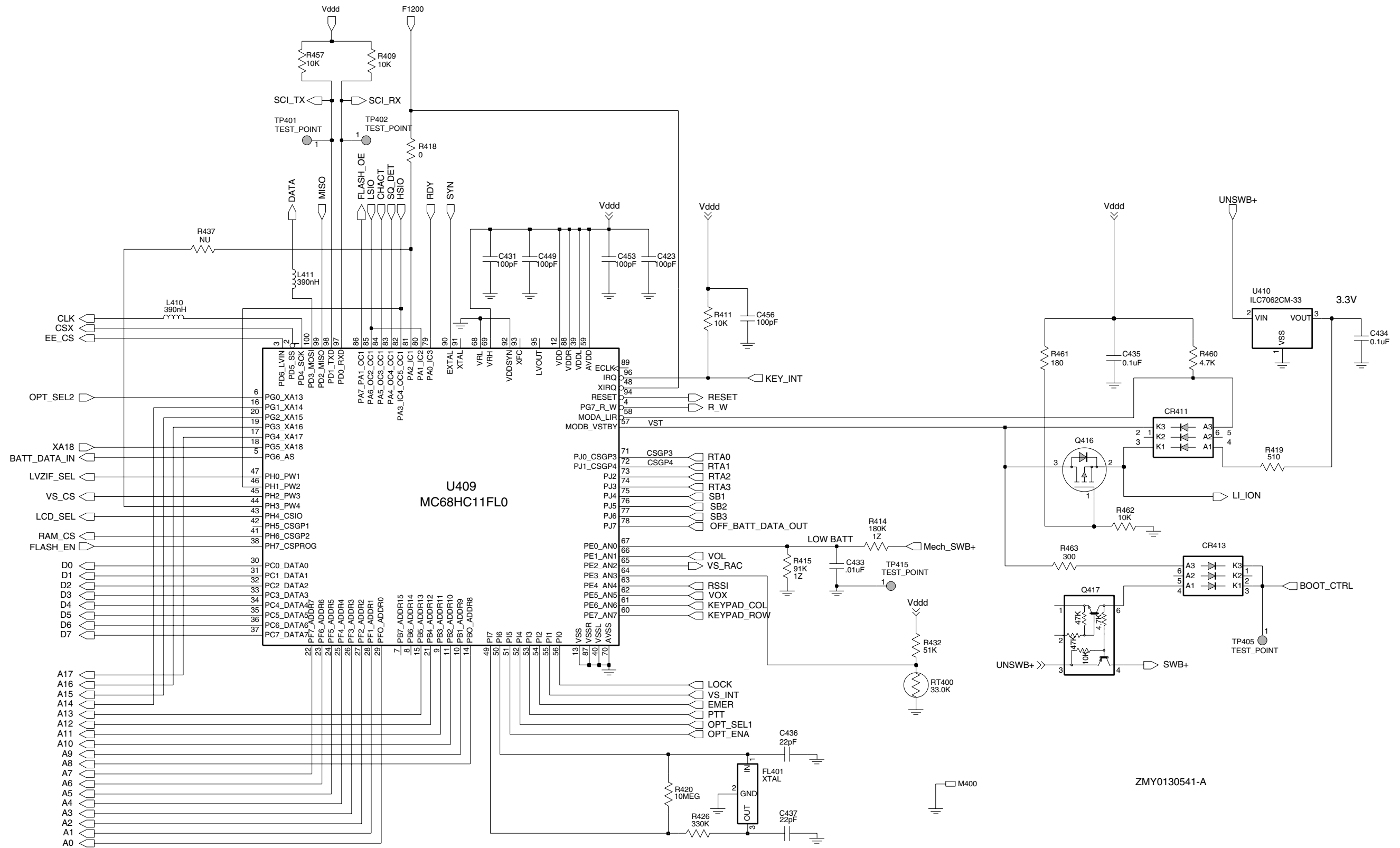
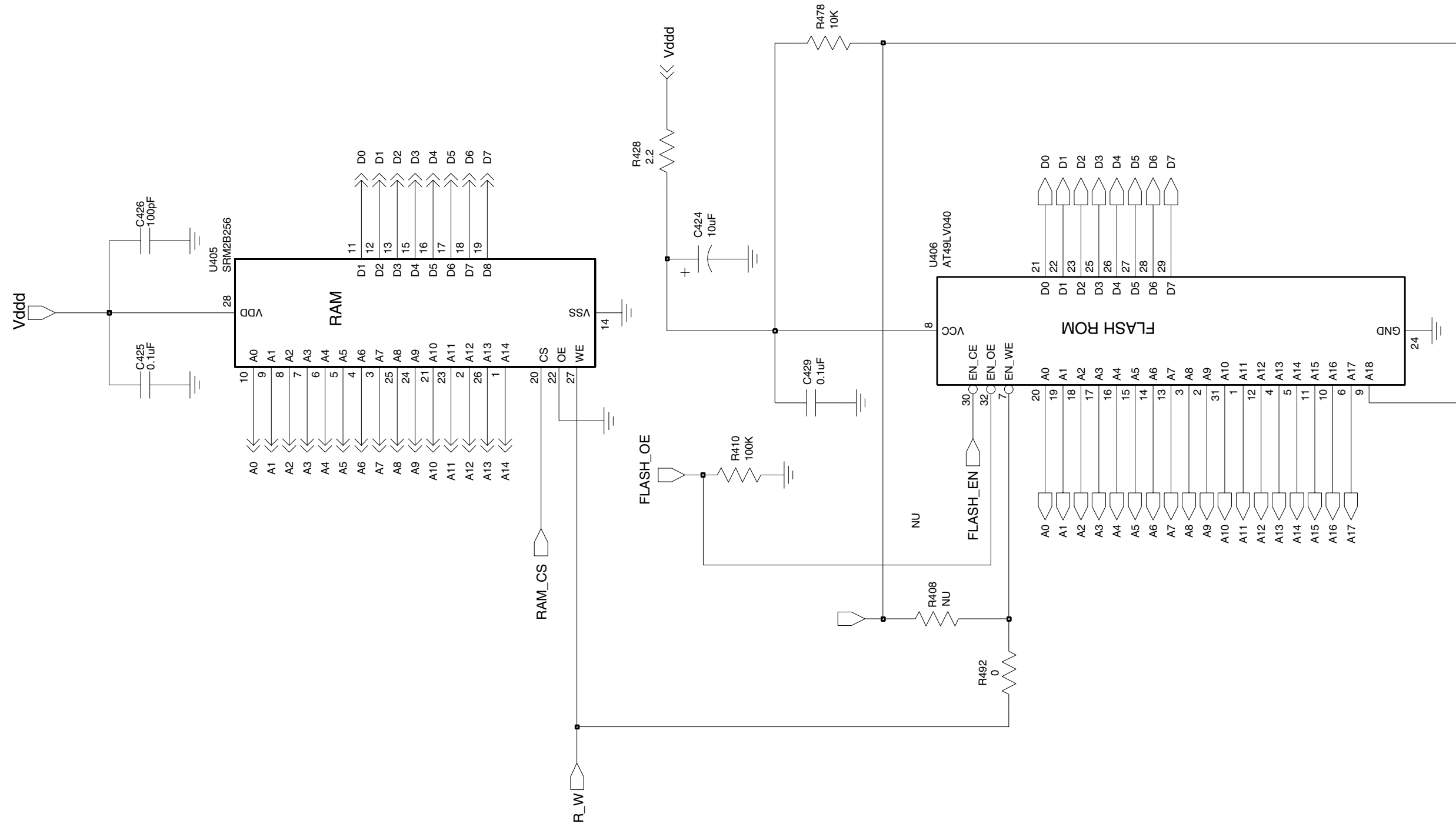


Figure 9-212. VHF (136-174 MHz) Controller Microprocessor Schematic Diagram



ZMY0130543-A

Figure 9-213. VHF (136-174 MHz) Controller Memory Schematic Diagram

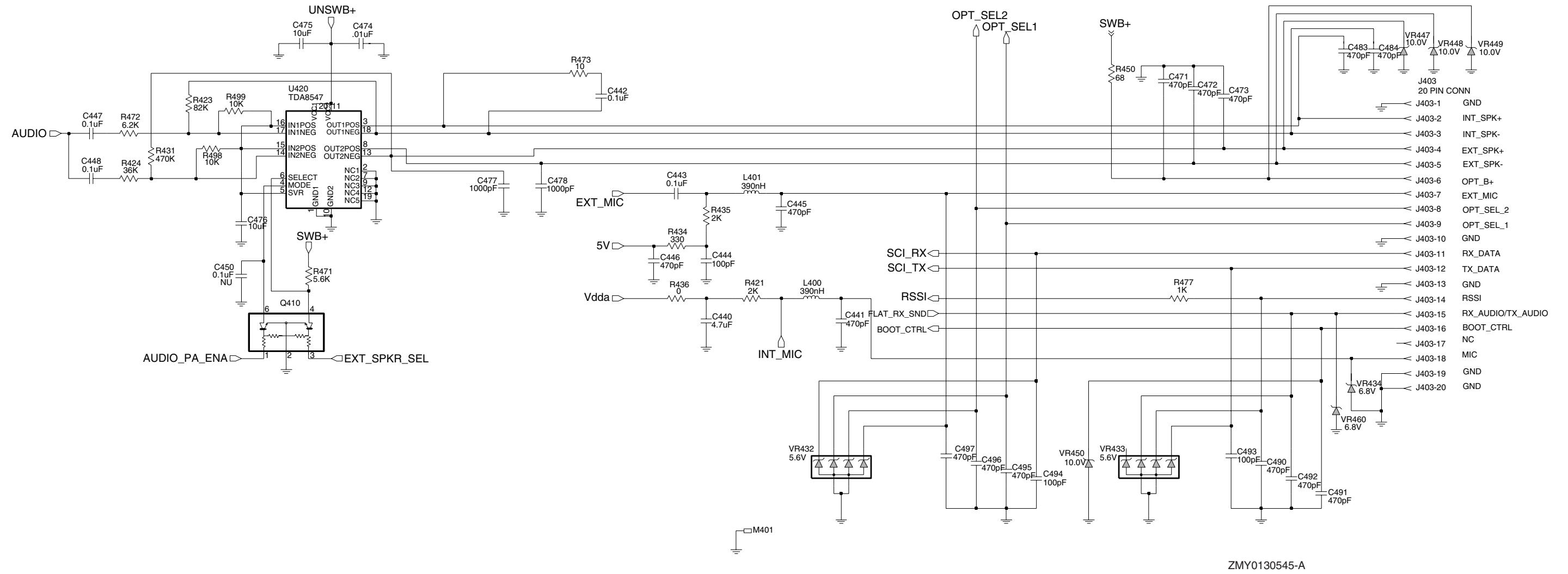


Figure 9-214. VHF (136-174 MHz) Controller Audio Power Amplifier Schematic Diagram

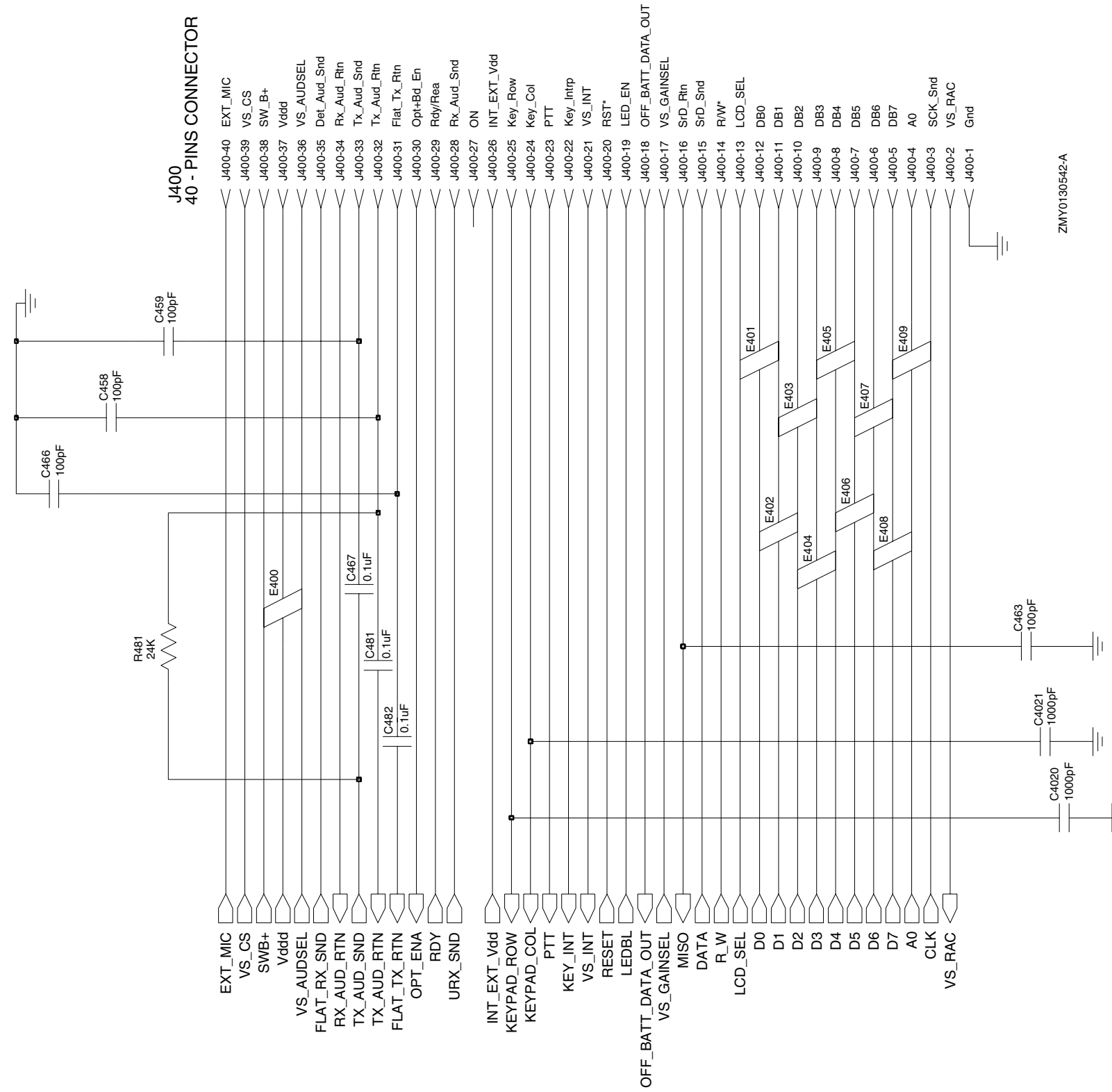


Figure 9-215. VHF (136-174 MHz) Controller Interface Schematic Diagram

VHF (136-174 MHz) Radio Parts List (PCB 8486473Z04)

Circuit Ref	Motorola Part No.	Description
B501	0986237A02	Battery Contact Module
B503	3980502Z01	Backup Contact, B +
B504	3980501Z01	Backup Contact, B -
C3200	2113743N12	2.7pF
C3201	2113743N31	16pF
C3202	NOT PLACED	
C3203	2113743N37	30pF
C3205	2113743M24	100000pF
C3206	2109445U26	9.1
C3207	2113743N18	4.7pF
C3208	2113743M24	100000pF
C3209	2113743M24	100000pF
C3210	2113743M24	100000pF
C3212	2311049A07	1uF
C3213	2311049A56	4.7uF
C3215	2113743N26	10pF
C3218	2311049A59	10uF
C3221	2113743E20	0.1uF
C3222	2113743M24	100000pF
C3225	2113743M24	100000pF
C3226	2113743M24	100000pF
C3228	2113743M24	100000pF
C3230	2113743M24	100000pF
C3231	2113743M24	100000pF
C3232	2113743M24	100000pF
C3233	2113743M24	100000pF
C3234	2113743M24	100000pF
C3236	2113743L33	4700pF
C3238	2113743M24	100000pF
C3274	2113743N37	30pF
C3275	2113743N35	24pF
C3278	2113743E20	0.1uF
C3279	2113743N52	120pF
C328	2113743M24	100000pF
C3301	2113743N20	5.6pF
C3302	2113743N54	150pF

Circuit Ref	Motorola Part No.	Description
C3303	2113743N30	15pF
C3304	2113743N54	150pF
C3305	NOT PLACED	
C3306	2113928N01	0.1uF
C3307	2113743N50	100pF
C3308	2113743L05	330pF
C3309	2113928N01	0.1uF
C3310	NOT PLACED	
C3311	2113743N54	150pF
C3312	2113743N31	16pF
C3313	2113743N54	150pF
C3314	NOT PLACED	
C3315	2113743N26	10pF
C3316	2113743N14	3.3pF
C3317	2113743N37	30pF
C3318	2113743M08	22000pF
C3319	NOT PLACED	
C3320	2113743N48	82pF
C3321	2113743L05	330pF
C3322	2113743N50	100pF
C3323	2113743N50	100pF
C3324	2113743N38	33pF
C3325	2113743L17	1000pF
C3326	NOT PLACED	
C3327	2113743L05	330pF
C3329	2113743L05	330pF
C3330	2113743N50	100pF
C3331	2113743N50	100pF
C3332	2113743N40	39pF
C3334	2113743N33	20pF
C3335	2113743N34	22pF
C3336	2311049A96	33uF
C3337	2113743M08	22000pF
C3338	2113743L09	470pF
C3339	2113743N26	10pF
C337	2113928P04	1uF
C3501	2113743L05	330pF
C3502	2113743N38	33pF

Circuit Ref	Motorola Part No.	Description
C3503	2113743N38	33pF
C3504	2113743M08	22000pF
C3505	2113743N38	33pF
C3508	2113743M08	22000pF
C3509	2113743L05	330pF
C3512	2113740F43	47pF
C3513	2113740F38	30pF
C3514	2113740F47	68pF
C3515	2113743L29	3300pF
C3516	2311049A08	1uF
C3517	2113740F47	68pF
C3518	NOT PLACED	
C3519	NOT PLACED	
C3521	2111078B51	220pF
C3523	2111078B44	120pF
C3524	2113740F34	20pF
C3525	2113740F27	10pF
C3526	2113743M08	22000pF
C3527	NOT PLACED	
C3528	2113740F27	10pF
C3531	2113740F34	20pF
C3532	2113740F47	68pF
C3533	2113740F24	7.5pF
C3534	2113740F19	4.7pF
C3535	2113740F37	27pF
C3536	2113740F31	15pF
C3537	2113740F33	18pF
C3539	2113740F29	12pF
C3541	2113743M08	22000pF
C3542	2113743L05	330pF
C3543	2113743M08	22000pF
C3544	2113743L05	330pF
C3546	2113743L05	330pF
C3547	2113743M08	22000pF
C3550	2113743N23	7.5pF
C3551	2113743N46	68pF
C3552	2113743N44	56pF
C3560	2311049A07	1uF

Circuit Ref	Motorola Part No.	Description
C3561	2113743M08	22000pF
C3562	2113743L29	3300pF
C3563	2113743L29	3300pF
C3564	2113743L01	220pF
C3565	2113743E07	0.022uF
C3566	2113743N50	100pF
C3567	2113743L05	330pF
C3568	2113743L29	3300pF
C3569	2113743M08	22000pF
C3570	2113743L05	330pF
C3571	2113743L09	470pF
C358	2113743N22	6.8pF
C359	2113743N31	16pF
C3701	2113743L41	10000pF
C3702	2113743L41	10000pF
C3703	2113743L41	10000pF
C3704	2113743L41	10000pF
C3705	2113743E20	0.1uF
C3706	2311049J11	4.7uF
C3707	2113743N34	22pF
C3708	2113928N01	0.1uF
C3709	2113928N01	0.1uF
C3710	2104993J02	2.2uF
C3711	2311049A69	10uF
C3712	2113928N01	0.1uF
C3713	2311049A09	2.2uF
C3714	2311049J11	4.7uF
C3715	2113743L09	470pF
C3721	2113743E20	0.1uF
C3722	2113743E20	0.1uF
C3724	2311049A08	1uF
C3725	NOT PLACED	
C3726	2113743N24	8.2pF
C3727	2113743N50	100pF
C3731	2113743L41	10000pF
C3732	2113743L41	10000pF
C3733	2104993J02	2.2uF
C3734	2113743L41	10000pF

Circuit Ref	Motorola Part No.	Description
C3741	NOT PLACED	
C3742	2113743L01	220pF
C3743	2113743L01	220pF
C3744	2113743L01	220pF
C3745	2113743L01	220pF
C3746	2113743L01	220pF
C3752	2113743L17	1000pF
C3753	2311049A56	4.7uF
C3754	2113928N01	0.1uF
C3755	2104993J02	2.2uF
C3761	2113743N42	47pF
C3762	2113740F63	330pF
C3763	NOT PLACED	
C3801	2113743N18	4.7pF
C3802	NOT PLACED	
C3803	2113743L17	1000pF
C3804	2113743E20	0.1uF
C3805	2113743N18	4.7pF
C3806	2113743N50	100pF
C3808	2113743N30	15pF
C3809	2113743N36	27pF
C3810	NOT PLACED	
C3811	2113928N01	0.1uF
C3812	2113928N01	0.1uF
C3813	2113743L41	10000pF
C3815	2113743L17	1000pF
C3816	2113743N22	6.8pF
C3818	2113743E07	0.022uF
C3821	2113743L41	10000pF
C3822	2113743L17	1000pF
C3823	2113743L41	10000pF
C3824	2113743N44	56pF
C3825	2113743N30	15pF
C3826	2113743N18	4.7pF
C3827	2113743E07	0.022uF
C3828	2185895Z01	0.01uF
C3829	2185895Z01	0.01uF
C383	2113743N43	51pF

Circuit Ref	Motorola Part No.	Description
C3830	2113743N46	68pF
C3832	2113743L17	1000pF
C3833	2113743N18	4.7pF
C3834	2113743N44	56pF
C3835	2113743N22	6.8pF
C3836	2113743N30	15pF
C3842	2113743L17	1000pF
C390	2113743N43	51pF
C400	2113743L41	10000pF
C401	2113928N01	0.1uF
C402	2113928N01	0.1uF
C4020	NOT PLACED	
C4021	NOT PLACED	
C403	2113743G24	2.2uF
C407	2113928N01	0.1uF
C408	2113743N50	100pF
C409	2113928N01	0.1uF
C410	2113928N01	0.1uF
C411	2113928N01	0.1uF
C414	2113928N01	0.1uF
C415	2185895Z01	0.01uF
C416	2113928N01	0.1uF
C419	2113743L41	10000pF
C420	2113743L41	10000pF
C421	2113928N01	0.1uF
C422	2113928N01	0.1uF
C423	2113743N50	100pF
C424	2311049A59	10uF
C425	2113928N01	0.1uF
C426	2113743N50	100pF
C427	2113743N50	100pF
C428	2113928N01	0.1uF
C429	2113928N01	0.1uF
C430	2113928N01	0.1uF
C431	2113743N50	100pF
C432	NOT PLACED	
C433	2113743L41	10000pF
C434	2113928N01	0.1uF

Circuit Ref	Motorola Part No.	Description
C435	2113928N01	0.1uF
C436	2113743N34	22pF
C437	2113743N34	22pF
C440	2113743G26	4.7uF
C441	2113743L09	470pF
C442	2113743E20	0.1uF
C443	2113928N01	0.1uF
C444	2113743N50	100pF
C445	2113743L09	470pF
C446	2113743L09	470pF
C447	2113928N01	0.1uF
C448	2113928N01	0.1uF
C449	2113743N50	100pF
C450	NOT PLACED	
C451	2113743M08	22000pF
C452	2113743B29	1uF
C453	2113743N50	100pF
C456	2113743N50	100pF
C458	2113743N50	100pF
C459	2113743N50	100pF
C463	2113743N50	100pF
C466	2113743N50	100pF
C467	2113928N01	0.1uF
C471	2113743L09	470pF
C472	2113743L09	470pF
C473	2113743L09	470pF
C474	2113743L41	10000pF
C475	2113743H14	10uF
C476	2113928D08	10uF
C477	2113743L17	1000pF
C478	2113743L17	1000pF
C479	2113928N01	0.1uF
C480	2113928D08	10uF
C481	2113928N01	0.1uF
C482	2113928N01	0.1uF
C483	2113743L09	470pF
C484	2113743L09	470pF
C490	2113743L09	470pF

Circuit Ref	Motorola Part No.	Description
C491	2113743L09	470pF
C492	2113743L09	470pF
C493	2113743N50	100pF
C494	2113743N50	100pF
C495	2113743L09	470pF
C496	2113743L09	470pF
C497	2113743L09	470pF
C498	NOT PLACED	
C502	2311049A05	0.47uF
C503	2113743N50	100pF
C505	2113743N50	100pF
C511	2113743N50	100pF
C512	2113743N50	100pF
C513	2113743N50	100pF
C514	2113743N50	100pF
C520	2113743L41	10000pF
C521	2113743L41	10000pF
C522	2113743L41	10000pF
C523	2113743L41	10000pF
C535	2113743L17	1000pF
CR3201	4813825A19	Schottky Diode
CR3202	4802245J97	Band Switching Diode
CR3203	4802245J97	Band Switching Diode
CR3301	4802245J42	Ring Quad Diode
CR3302	4805129M96	Dual Diode
CR3303	4880154K03	Dual Diode
CR411	4802245J62	Schottkt Diode
CR412	4802245J62	Schottkt Diode
CR413	4802245J62	Schottkt Diode
CR440	4813833C02	Dual Diode
CR501	4880107R01	Rectifier
CR503	4805729G49	Red / Yellow LED
D3301	4802081B58	Dual Diode
D3302	4802081B58	Dual Diode
D3521	4880973Z02	Pin Diode
D3551	4880973Z02	Pin Diode
D3701	4802233J09	Triple Diode
D3702	4802233J09	Triple Diode

Circuit Ref	Motorola Part No.	Description	Circuit Ref	Motorola Part No.	Description	Circuit Ref	Motorola Part No.	Description	Circuit Ref	Motorola Part No.	Description
D3761	4862824C03	Varactor Diode	L3512	2479990B01	11.03nH	PB503	4086470Z01	Tactile Switch	R3224	0662057V02	10K
D3821	4805649Q13	Varactor Diode	L3513	2479990A02	7.66nH	PB504	4086470Z01	Tactile Switch	R3226	0662057M64	390
D3831	4805649Q13	Varactor Diode	L3515	2479990C03	1385nH	PB505	4086470Z01	Tactile Switch	R3270	0662057M74	1000
D3832	4862824C01	Varactor Diode	L3518	NOT PLACED		Q3200	4802197J95	NPN Transistor	R3271	NOT PLACED	
E400	2480640Z01	Ferrite Bead	L3519	2484657R01	Ferrite Bead	Q3270	4813824A10	NPN Transistor	R3273	0662057N03	15K
E401	2480640Z01	Ferrite Bead	L3521	2479990A02	7.66nH	Q3301	4880214G02	NPN Transistor	R3274	0662057M80	1800
E402	2480640Z01	Ferrite Bead	L3522	2479990E01	23.75nH	Q3302	4802197J95	NPN Transistor	R3275	0662057M76	1200
E403	2480640Z01	Ferrite Bead	L3523	2462587N68	1000nH	Q3501	4813828A08	RF Power Amplifier	R3276	0662057N23	100K
E404	2480640Z01	Ferrite Bead	L3531	2479990N01	43.67nH	Q3561	4813824A17	PNP Transistor	R3301	NOT PLACED	
E405	2480640Z01	Ferrite Bead	L3532	2479990N01	43.67nH	Q3721	4809939C05	Dual NPN/PNP Transistor	R3303	0662057N23	100K
E406	2480640Z01	Ferrite Bead	L3538	2479990M01	30.54nH	Q3801	4802197J95	NPN Transistor	R3304	0662057N23	100K
E407	2480640Z01	Ferrite Bead	L3551	2479990N01	43.67nH	Q400	4809579E18	MOSFET P-chan Transistor	R3305	0662057N18	62K
E408	2480640Z01	Ferrite Bead	L3552	2479990A02	7.66nH	Q403	4813824A17	PNP Transistor	R3306	0662057M82	2200
E409	2480640Z01	Ferrite Bead	L3701	2462587Q42	390nH	Q405	4802245J54	Dual NPN Transistor	R3307	0662057N11	33K
F501	6580542Z01	Fuse 3A	L3731	2462587Q20	2200nH	Q410	4802245J54	Dual NPN Transistor	R3308	0662057M78	1500
FL401	4870368G02	Real Time Clock Xtal Oscillator 38.4kHz	L3801	2462587V34	100nH	Q416	4809579E18	MOSFET P-chan Transistor	R3309	0662057M95	7500
H3501	2680499Z01	Heat Spreader	L3809	2462587V27	27nH	Q417	4809939C05	Dual NPN/PNP Transistor	R3310	0662057M84	2700
J3501	0985613Z01	RF Jack	L3811	2462587V34	100nH	Q502	5180159R01	Dual NPN Transistor	R3311	NOT PLACED	
J3502	0280519Z02	Antenna Nut	L3812	2462587V34	100nH	Q505	4880214G02	NPN Transistor	R3312	0662057M19	5.1
J400	0905505Y04	40-Pin Connector	L3813	2462587Q47	1000nH	R3200	0662057M72	820	R3313	0662057M40	39
J403	0905505Y02	20-Pin Connector	L3816	2462587V34	100nH	R3201	0662057M69	620	R3314	0662057M35	24
L3200	2413926K33	680nH	L3821	2462587N50	56nH	R3202	0662057N09	27K	R3315	0662057M62	330
L3202	2413923A25	1200nH	L3822	2462587N49	47nH	R3203	0662057N01	12K	R3316	0662057M66	470
L3203	2413926K33	680nH	L3823	2462587N49	47nH	R3204	0662057M90	4700	R3317	0662057N23	100K
L3270	2462587N68	1000nH	L3824	2462587N68	1000nH	R3205	0662057N06	20K	R3318	0662057M66	470
L3301	2462587T35	12nH	L3825	2462587V34	100nH	R3206	0662057M73	910	R3319	NOT PLACED	
L3303	2462587T35	12nH	L3826	2462587N68	1000nH	R3207	0662057N01	12K	R3320	NOT PLACED	
L3304	2462587T23	470nH	L3831	2462587N50	56nH	R3208	0662057N06	20K	R3321	0662057M43	51
L3305	2462587T35	12nH	L3832	2462587N51	68nH	R3209	0662057N13	39K	R3322	NOT PLACED	
L3306	2462587T35	12nH	L3833	2462587N50	56nH	R3211	0662057N13	39K	R3323	0662057M01	0
L3308	2462587T34	10nH	L3834	2462587N68	1000nH	R3212	0662057N06	20K	R3324	0662057M58	220
L3309	2462587N55	150nH	L400	2462587Q42	390nH	R3213	0662057N01	12K	R3501	0662057M61	300
L3312	2462587V28	33nH	L401	2462587Q42	390nH	R3214	0662057M34	22	R3502	0662057M32	18
L3501	2413926H09	5.6nH	L410	2462587Q42	390nH	R3215	0662057M01	0	R3503	0662057M61	300
L3503	2462587V32	68nH	L411	2462587Q42	390nH	R3220	NOT PLACED		R3505	0662057M62	330
L3504	2462587N51	68nH	L505	2462587Q42	390nH	R3221	0662057M43	51	R3506	0662057B62	3.9
L3511	2462587N44	18nH	PB501	4086470Z01	Tactile Switch	R3222	0662057M70	680	R3507	0662057B62	3.9
			PB502	4086470Z01	Tactile Switch	R3223	0662057V04	12K	R3512	NOT PLACED	

Circuit Ref	Motorola Part No.	Description
R3513	NOT PLACED	
R3519	0680539Z01	0.1
R3541	0662057N13	39K
R3542	0662057M92	5600
R3543	0662057M50	100
R3544	0662057A25	100
R3545	0662057A25	100
R3546	0662057N01	12K
R3547	0662057N11	33K
R3548	0662057N07	22K
R3551	0662057M40	39
R3561	0662057N01	12K
R3562	0662057N11	33K
R3563	0662057N33	270K
R3564	0662057N35	330K
R3565	NOT PLACED	
R3566	NOT PLACED	
R3569	0662057M92	5600
R3570	0662057M98	10K
R3571	0662057A27	120
R3572	0662057A27	120
R3573	0662057A27	120
R370	NOT PLACED	
R3701	0662057M50	100
R3702	NOT PLACED	
R3703	0662057M54	150
R3704	0662057M54	150
R3705	0662057N11	33K
R371	0662057N23	100K
R372	0662057N28	160K
R3721	0662057M66	470
R3722	0662057M68	560
R3723	0662057M50	100
R3726	NOT PLACED	
R3727	0662057N23	100K
R373	NOT PLACED	
R374	0662057N23	100K
R3741	0662057M50	100

Circuit Ref	Motorola Part No.	Description
R375	NOT PLACED	
R3751	0662057N30	200K
R3752	0662057N29	180K
R376	0662057M01	0
R3761	0662057N15	47K
R3762	NOT PLACED	
R377	0662057N23	100K
R378	0662057N23	100K
R3801	NOT PLACED	
R3802	0662057M50	100
R3803	0662057M58	220
R3804	0662057M98	10K
R3805	0662057N08	24K
R3806	0662057M34	22
R3807	NOT PLACED	
R3808	0662057M26	10
R3811	0662057M50	100
R3812	NOT PLACED	
R3816	0662057M74	1000
R3817	0662057M01	0
R3818	NOT PLACED	
R3821	0662057M58	220
R3822	0662057M42	47
R3823	0662057N11	33K
R3824	0662057N07	22K
R3825	0662057M38	33
R3826	0662057M32	18
R3828	0662057M50	100
R3829	0662057M01	0
R3830	NOT PLACED	
R3831	0662057M98	10K
R3832	0662057N01	12K
R3833	0662057M58	220
R3834	0662057M42	47
R3835	0662057N15	47K
R3836	0662057M98	10K
R400	0662057N15	47K
R401	0662057M01	0

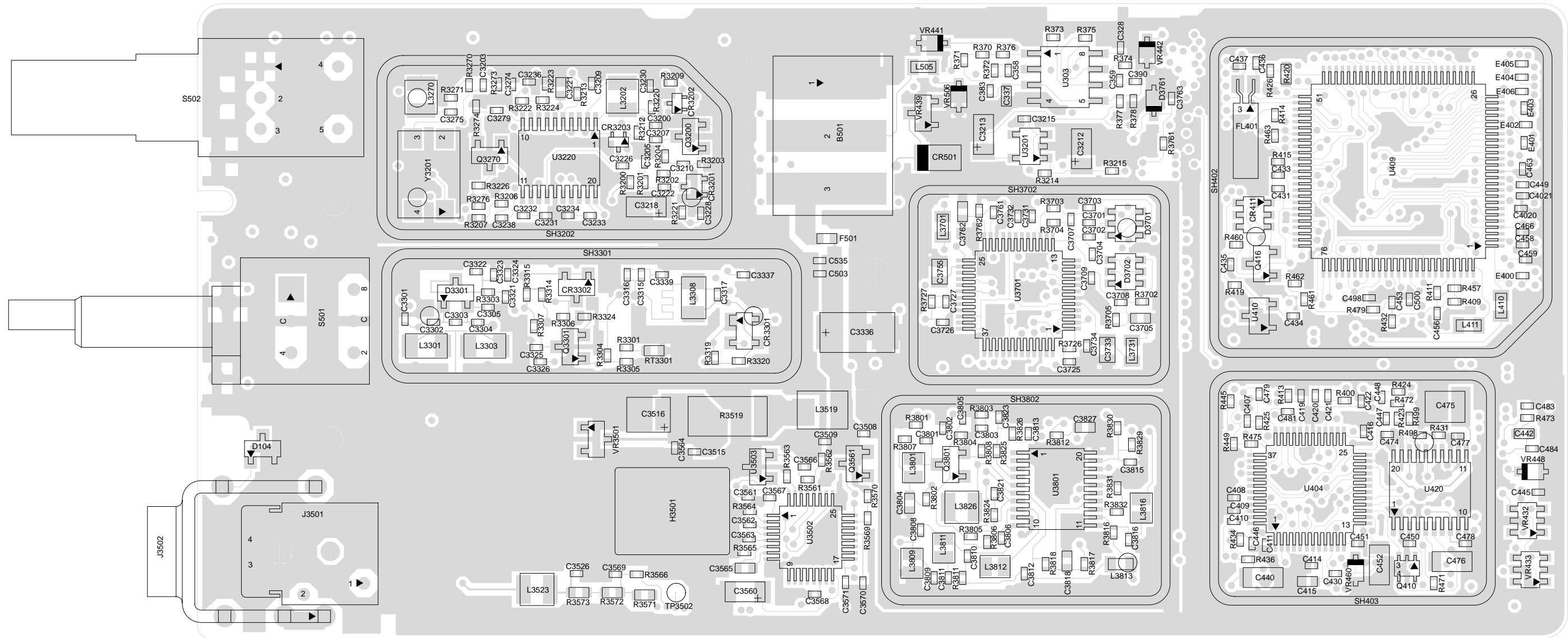
Circuit Ref	Motorola Part No.	Description
R402	NOT PLACED	
R403	NOT PLACED	
R405	0662057M01	0
R406	0662057N20	75K
R407	0662057N19	68K
R408	NOT PLACED	
R409	0662057M98	10K
R410	0662057N23	100K
R411	0662057M98	10K
R413	0662057M01	0
R414	0662057V34	180K
R415	0662057V26	91K
R416	0662057M98	10K
R418	0662057M01	0
R419	0662057M67	510
R420	0662057B46	10M
R421	0662057M81	2000
R423	0662057N21	82K
R424	0662057N12	36K
R425	0662057N10	30K
R426	0662057N35	330K
R427	0662057M84	2700
R428	0662057M10	2.2
R429	0662057N20	75K
R431	0662057N39	470K
R432	0662057N16	51K
R434	0662057M62	330
R435	0662057M81	2000
R436	0662057M01	0
R437	NOT PLACED	
R445	0662057N08	24K
R447	0662057N23	100K
R448	0662057M98	10K
R449	0662057N08	24K
R450	0683962T45	68
R451	0662057N03	15K
R452	0662057N23	100K
R453	NOT PLACED	

Circuit Ref	Motorola Part No.	Description
R454	NOT PLACED	
R455	NOT PLACED	
R456	0662057M01	0
R457	0662057M98	10K
R460	0662057M90	4700
R461	0662057M56	180
R462	0662057M98	10K
R463	0662057M61	300
R471	0662057N06	20K
R472	0662057M93	6200
R473	0662057M26	10
R475	0662057M01	0
R476	0662057N35	330K
R477	0662057M74	1000
R478	0662057M98	10K
R481	0662057N08	24K
R492	0662057M01	0
R498	0662057M98	10K
R499	0662057M98	10K
R501	0662057M70	680
R502	0662057M56	180
R505	0662057M98	10K
R506	0662057N15	47K
RT3301	NOT PLACED	
RT400	0680590Z01	Thermistor_33K
S501	4080710Z01	Frequency Switch
S501	4080710Z02	Frequency Switch
S502	1880619Z02	Volume / On-off Switch
SH3202	2686539Z01	IFIC Shield
SH3203	2686527Z01	Crystal Filter Shield
SH3301	2686081B01	Receiver Back-End Bottom Shield
SH3302	2686081B05	Mixer Diode Shield
SH3303	2686081B06	Receiver Front-End Shield
SH3501	2686081B03	Harmonic Filter Shield
SH3502	2686081B04	PA Shield
SH3701	2680511Z01	Synthesizer Top Shield
SH3702	2680511Z01	Synthesizer Bottom Shield

Circuit Ref	Motorola Part No.	Description
SH3801	2680513Z01	VCO Top Shield
SH3802	2680514Z01	VCO Buffer IC Shield
SH400	2680505Z01	Controller Memory Shield
SH401	2680506Z01	Controller On-off Shield
SH402	2680515Z01	Microprocessor Shield
SH403	2680516Z01	Asfic_Cmp, Audio PA Shield
T3301	2580541Z02	Balun Transformer
T3302	2580541Z02	Balun Transformer
U303	5113818A01	IC Sing Supply
U3201	5102463J58	3.3V Regulator
U3220	5186144B01	IF IC
U3221	5109522E10	Inverter IC
U3501	5185130C65	ASFIC CMP IC
U3502	5185765B26	LDMOS Driver IC
U3503	5185963A15	PCIC
U3701	5185963A27	Temperature Sensor
U3711	5105739X05	5V Regulator
U3801	5105750U54	VCO Buffer IC
U400	5102463J40	3.3V Regulator
U404	5185130C53	LV FRAC-N IC
U405	5102463J36	Static RAM 32K X 8
U406	*5102463J60	Flash ROM 512K X 8
U407	*5102495J05	EEPROM 16K X 8
U409	5102226J56	Microprocessor IC
U410	5102463J57	3.3V Regulator
U420	5102463J44	Audio PA
VR3501	4880140L17	Zener Diode
VR432	4805656W08	Zener Diode
VR433	4805656W08	Zener Diode
VR434	4802245J73	Zener Diode 6.8V
VR439	4880140L17	Zener Diode
VR440	NOT PLACED	
VR441	NOT PLACED	
VR442	NOT PLACED	
VR444	NOT PLACED	
VR447	4802245J74	Zener Diode 10V
VR448	4802245J74	Zener Diode 10V
VR449	4802245J74	Zener Diode 10V

Circuit Ref	Motorola Part No.	Description
VR450	4802245J75	Zener Diode 12V
VR460	4802245J73	Zener Diode 6.8V
VR501	4802245J73	Zener Diode 6.8V
VR506	4802245J73	Zener Diode 6.8V
Y3200	9180022M11	44.85MHZ Crystal Filter
Y3201	4802245J84	44.395MHz Crystal Oscillator
Y3202	9186145B02	455KHZ Discriminator
Y3203	9180469V05	455KHz 6-Pole Ceramic Filter
Y3204	9180469V03	455KHz 6-Pole Ceramic Filter
Y3205	9180468V05	455KHz 4-Pole Ceramic Filter
Y3761	4805875Z04	16.8 MHz Crystal Oscillator
	8486473Z04	VHF PC Board

* Motorola Depot Servicing only



ZMY30009-O

Figure 9-217. VHF (136-174 MHz) Main Board Bottom Side PCB No. 8415112H01

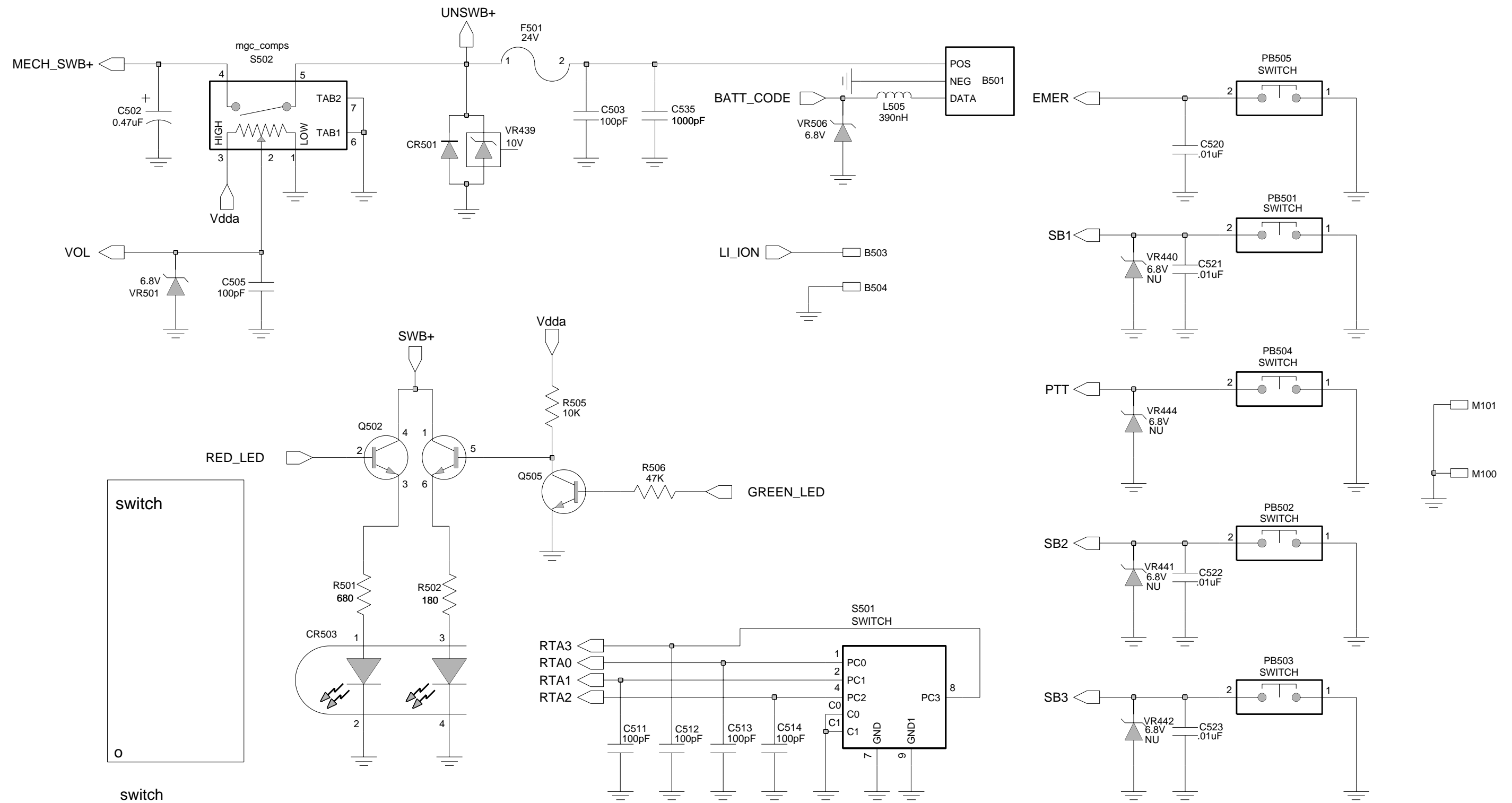


Figure 9-218. VHF Controls And Switches Schematic Diagram

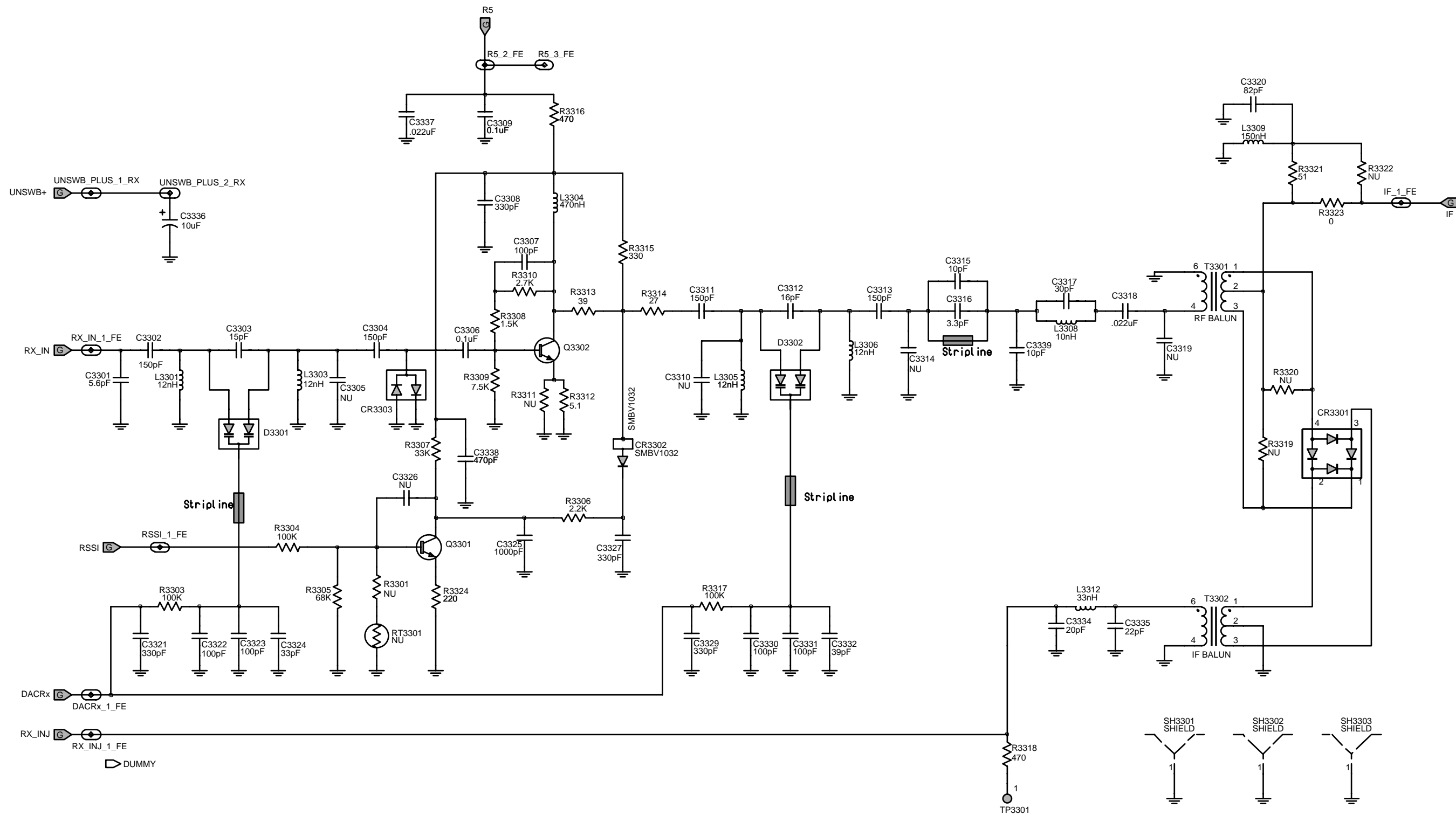


Figure 9-219. VHF Receiver Front End Schematic Diagram

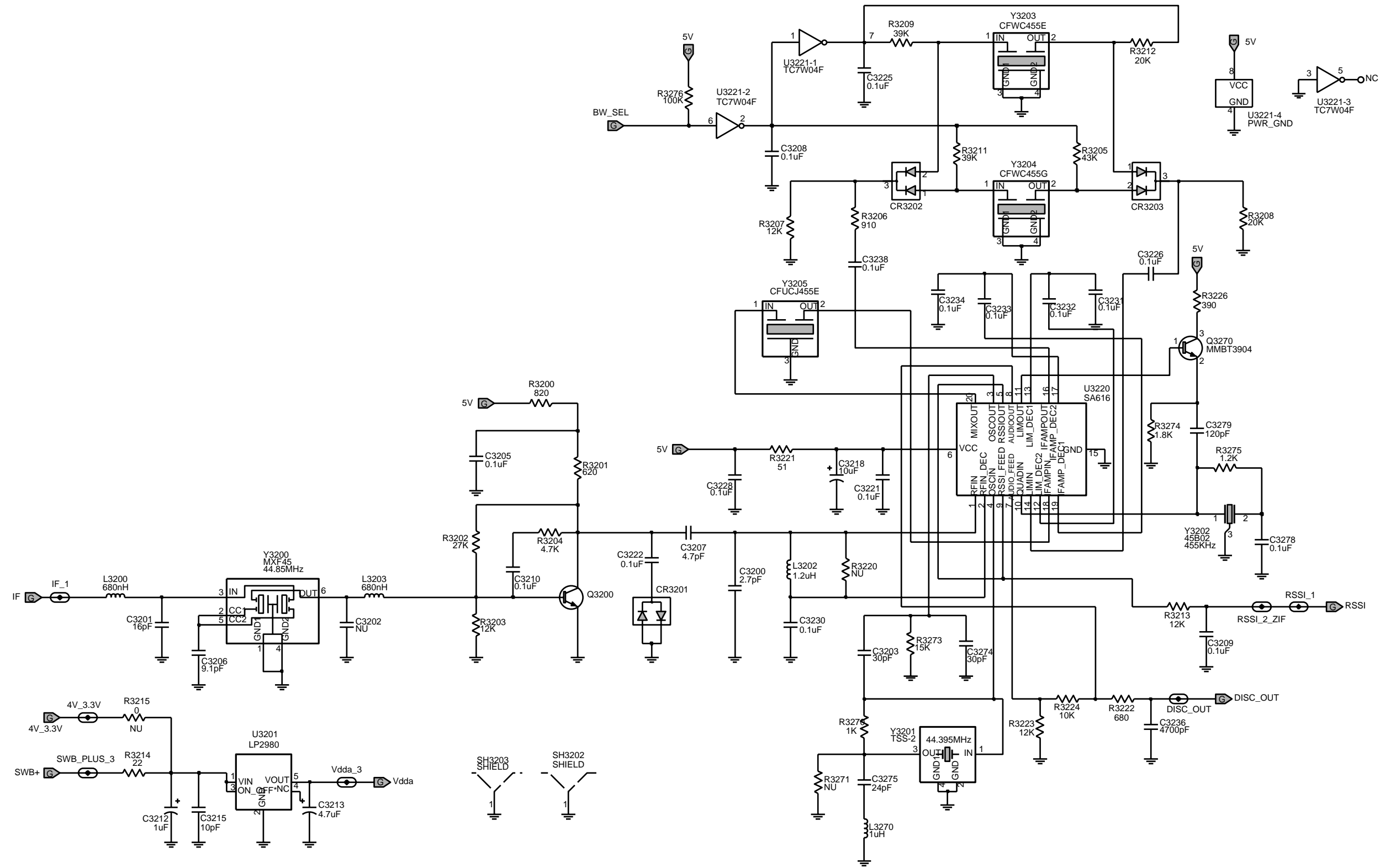
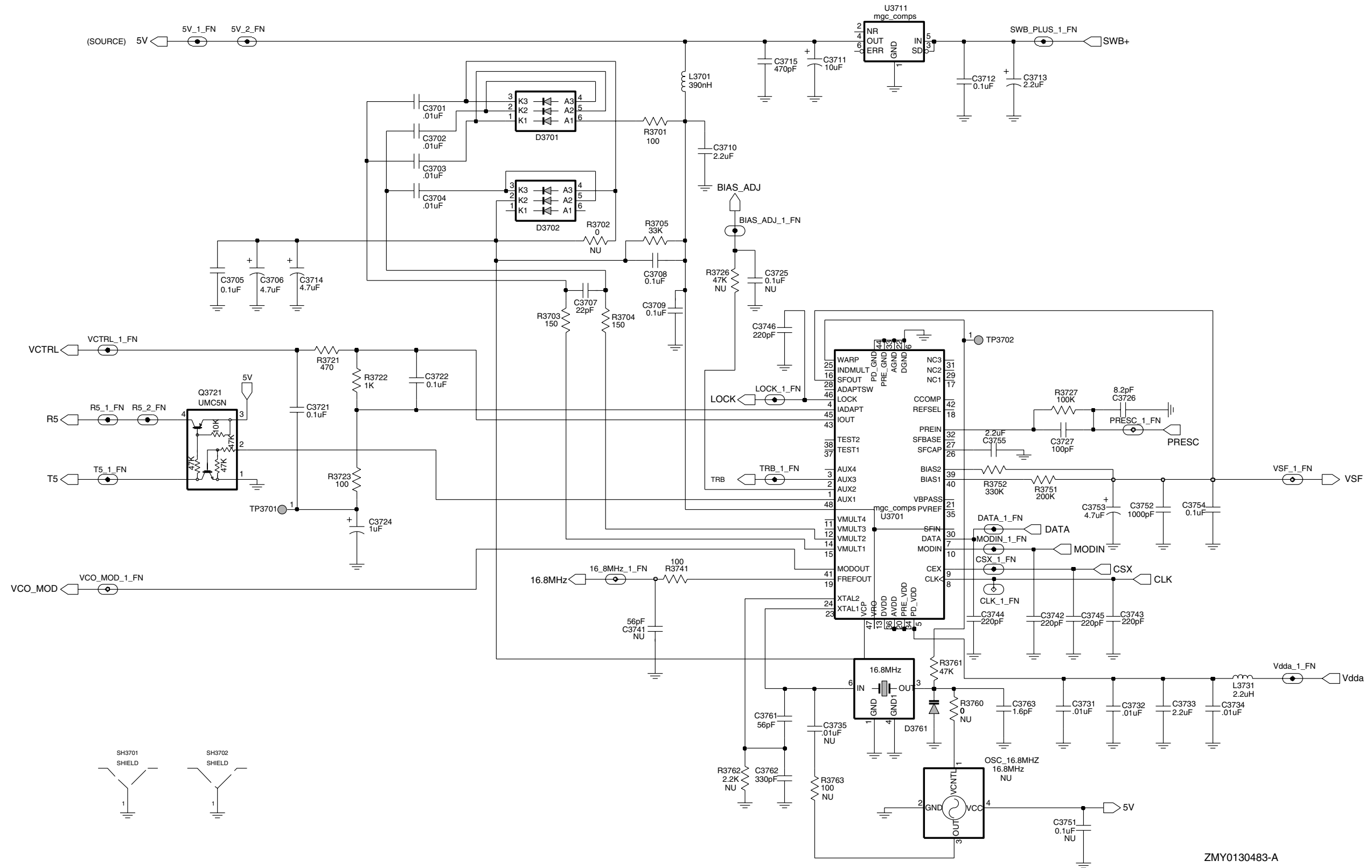


Figure 9-220. VHF Receiver Back End Schematic Diagram



ZMY0130483-A

Figure 9-221. VHF Synthesizer Schematic Diagram

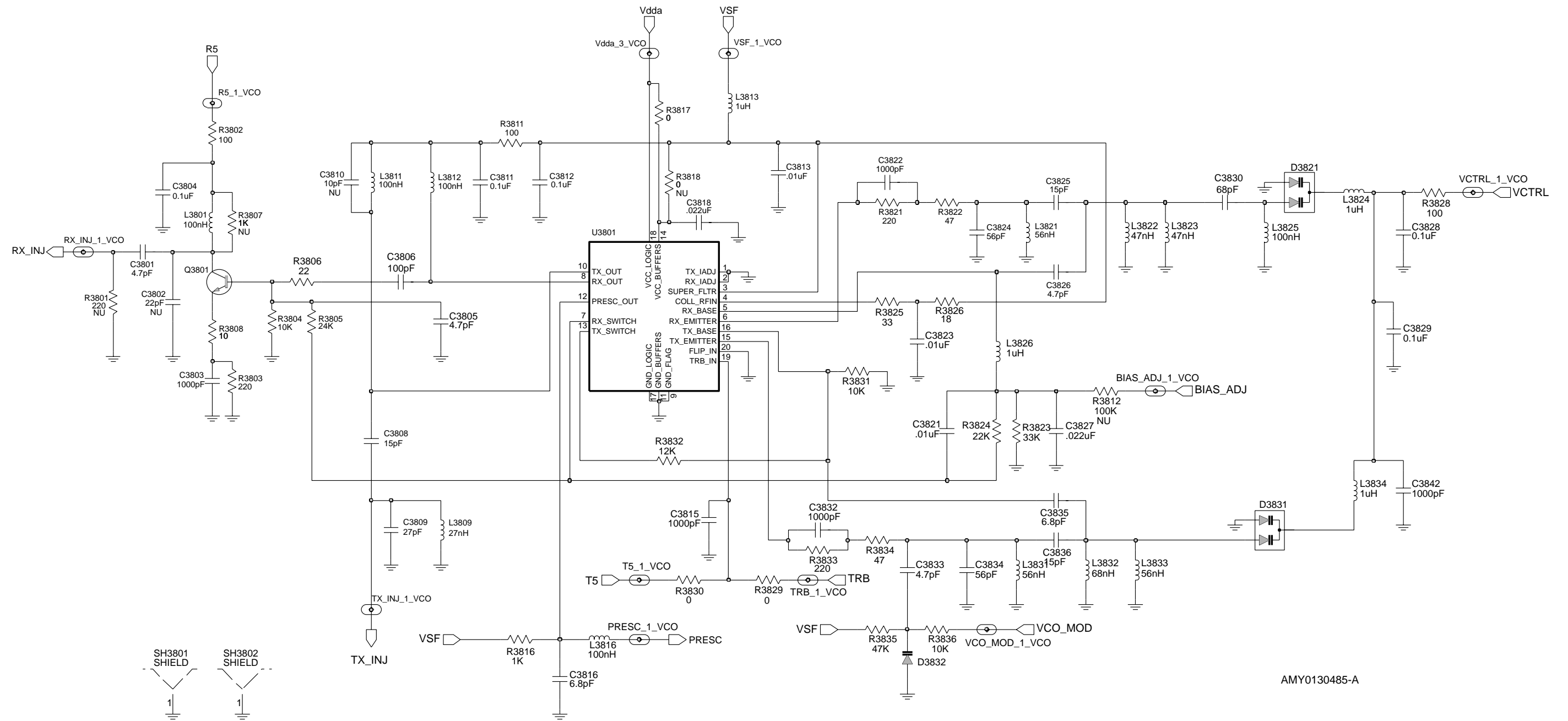


Figure 9-222. VHF Voltage Controlled Oscillator Schematic Diagram

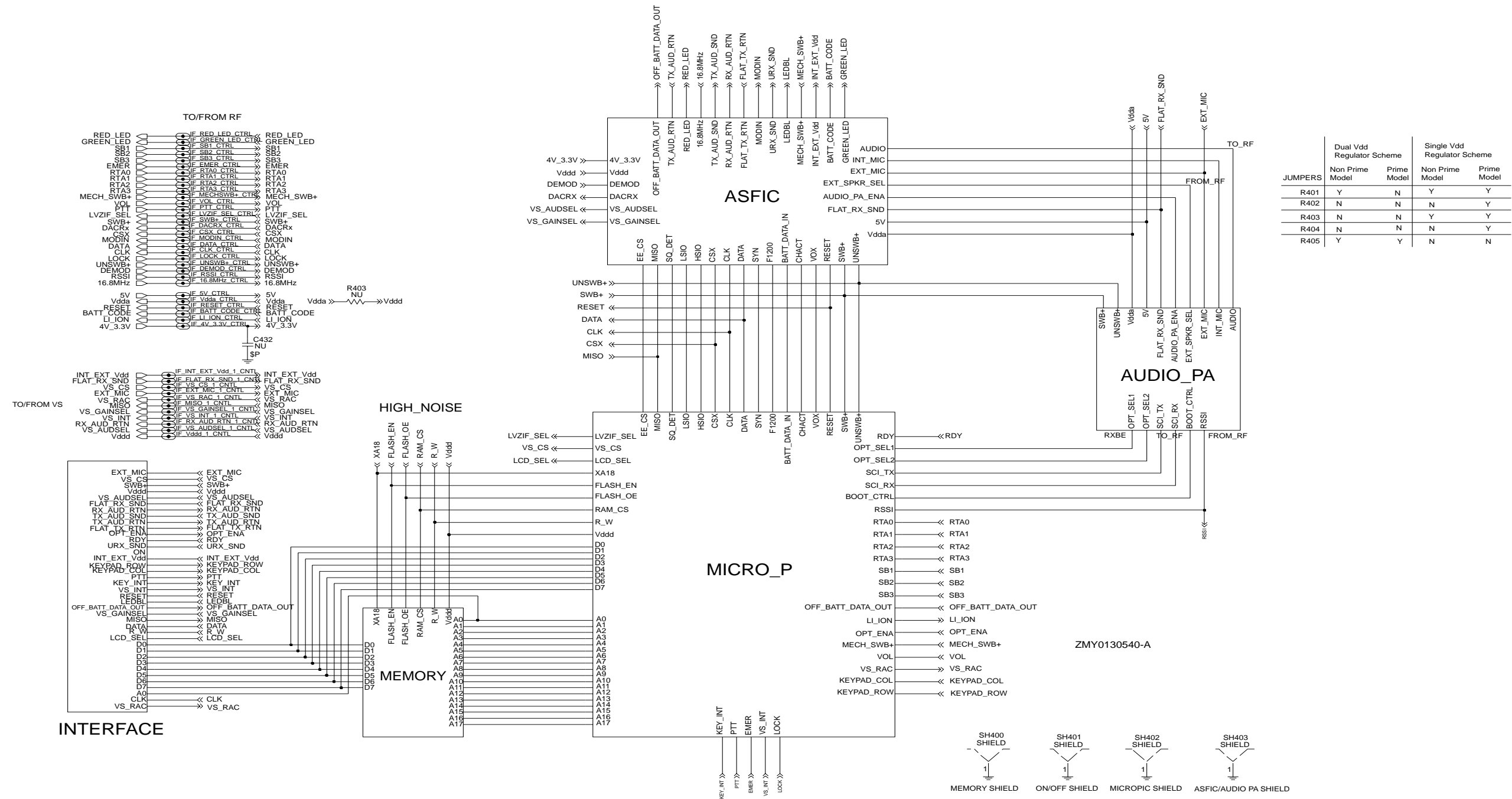
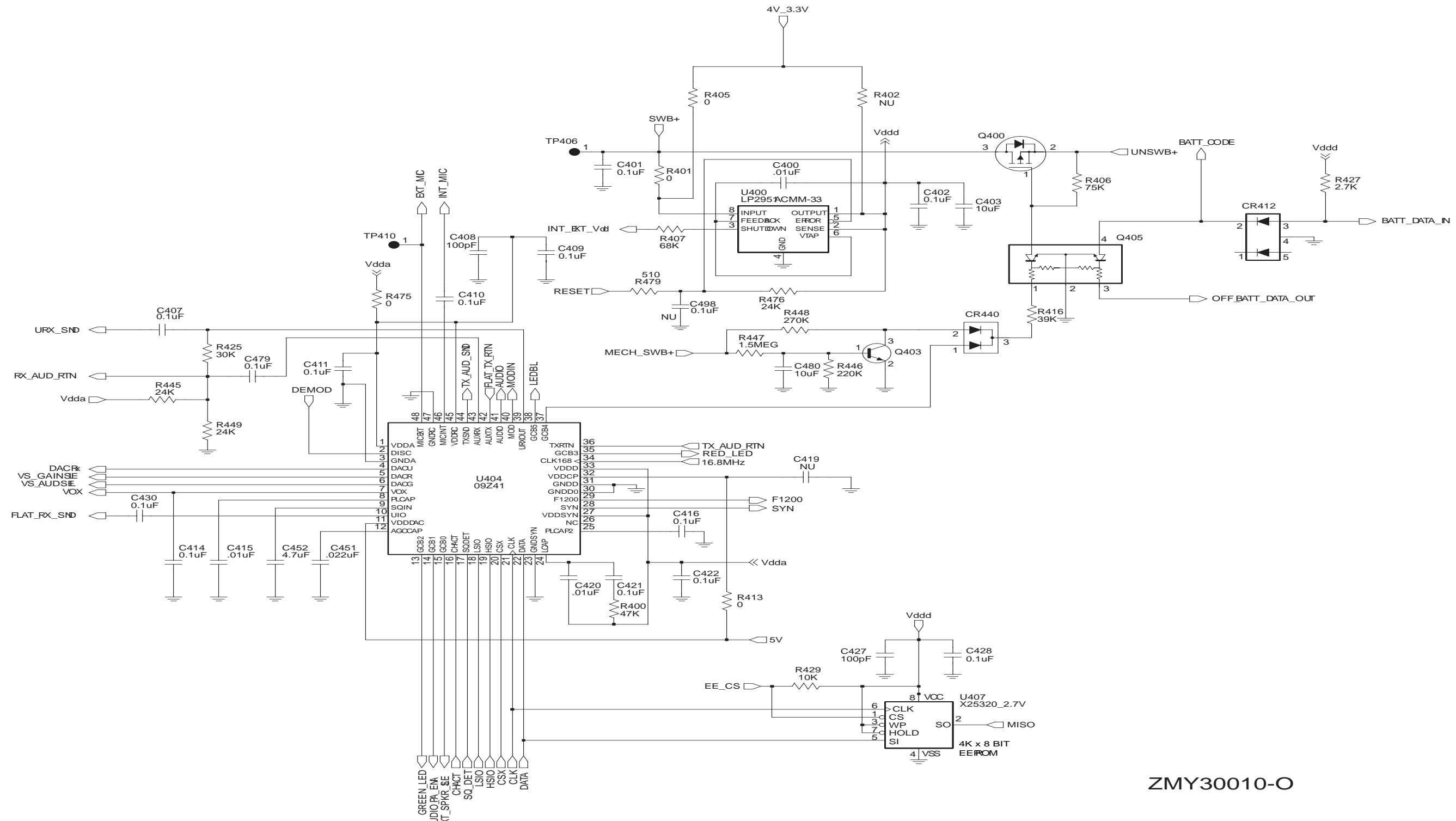


Figure 9-224. Complete Controller Schematic Diagram



ZMY30010-O

Figure 9-225. Controller ASFIC/ON_OFF Schematic Diagram

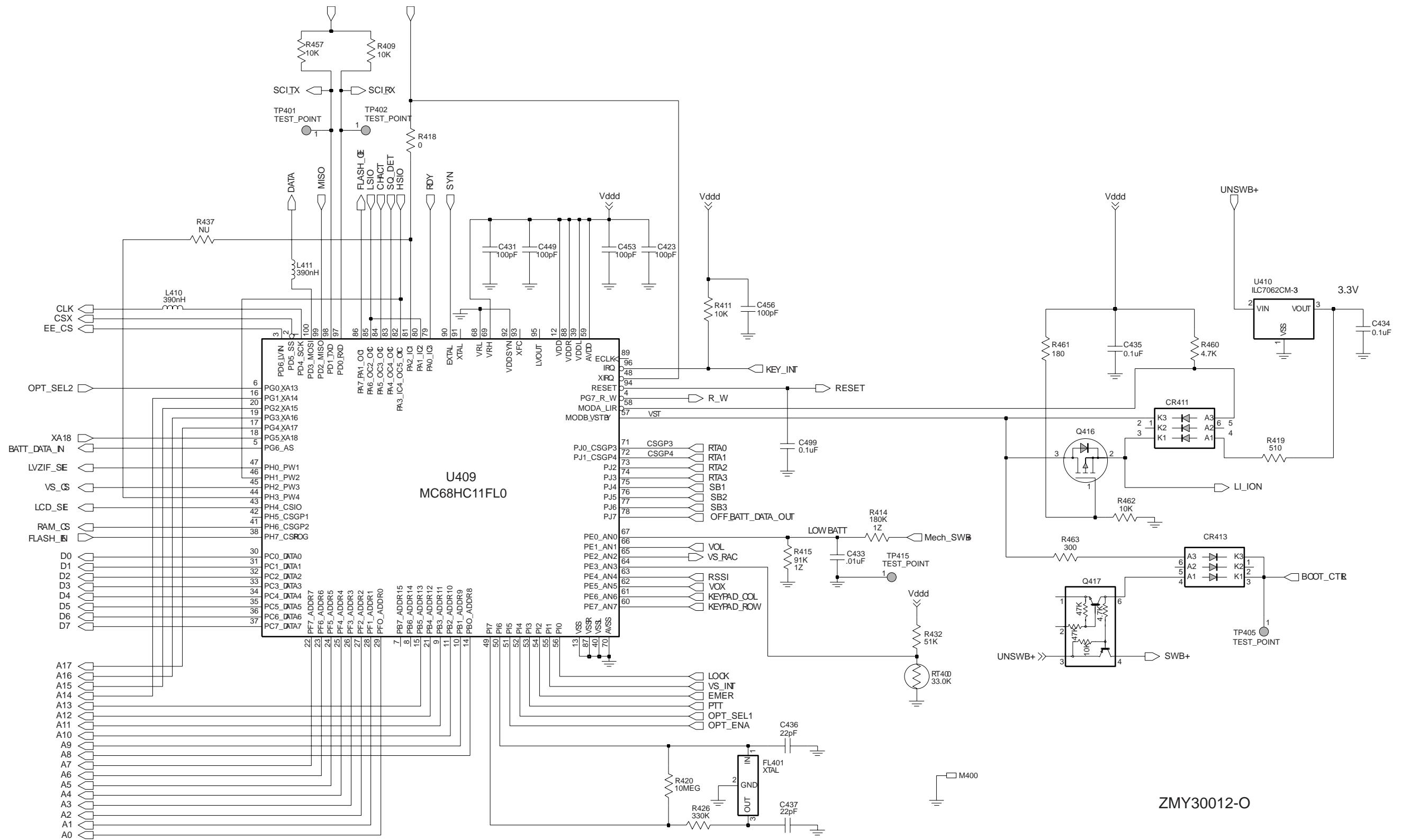
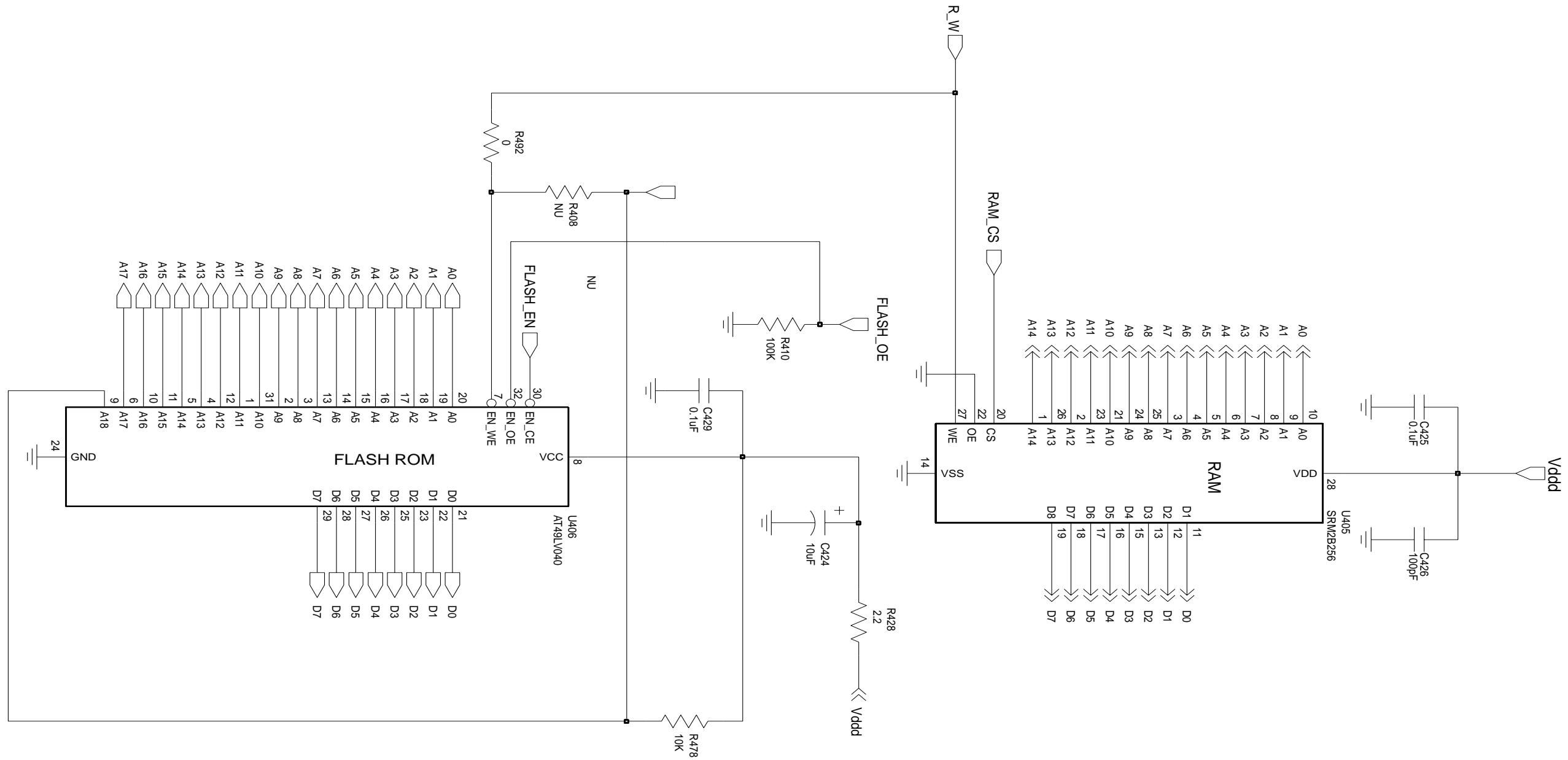


Figure 9-226. Controller Microprocessor Schematic Diagram



ZNV0130543-A

Figure 9-227. Controller Memory Schematic Diagram

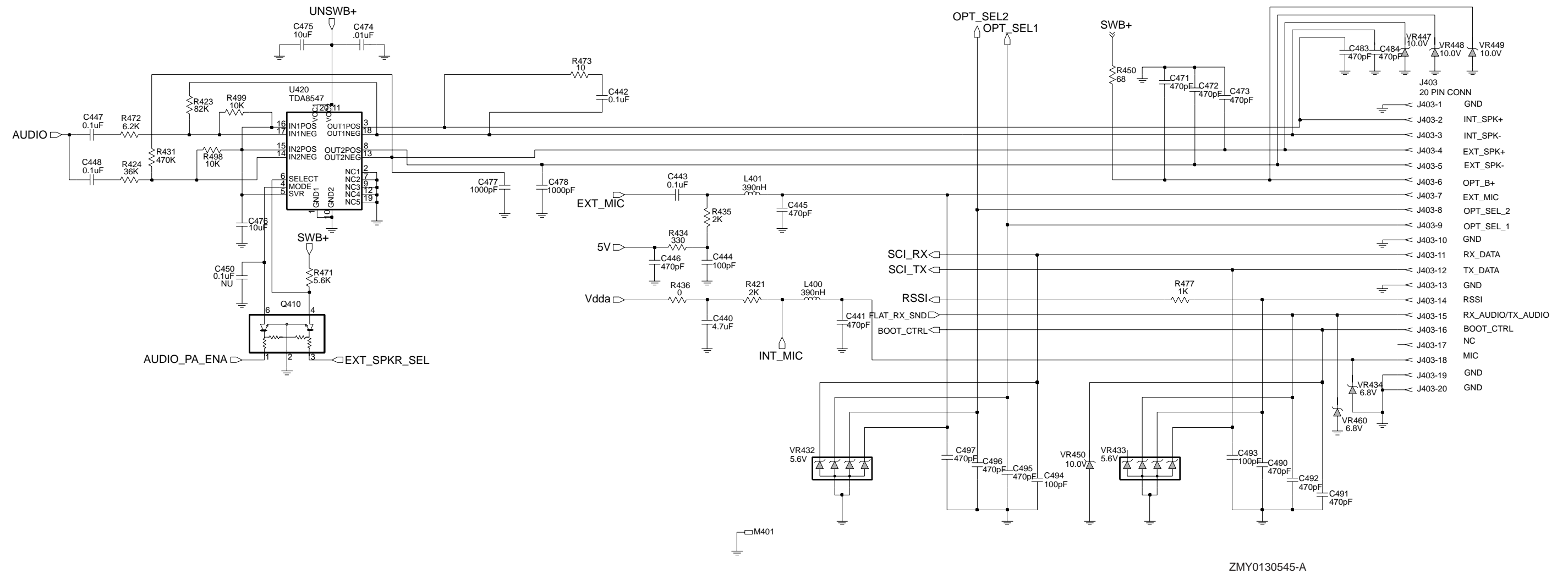


Figure 9-228. Controller Audio Power Amplifier Schematic Diagram

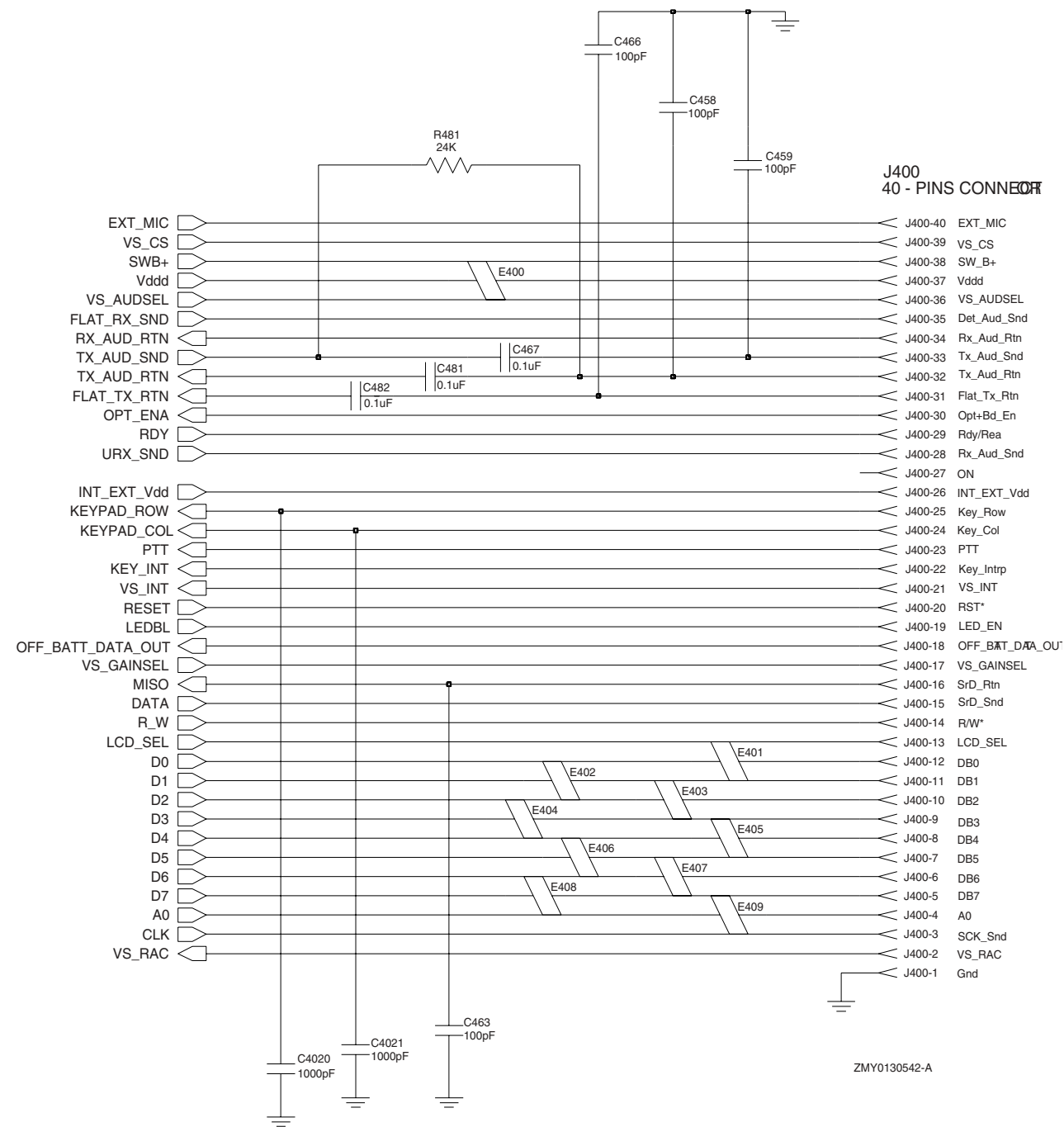


Figure 9-229. Controller Interface Schematic Diagram

VHF (136-174 MHz) Radio Parts List (PCB 8415112H01)

Circuit Ref	Motorola Part No.	Description
B501	0986237A02	Connector (Contact Battery)
B503	3980502Z01	Contact, Backup B+
B504	3980501Z01	Contact, Backup B-
C3200	2113944A11	CAP CER CHP 2.7PF 50V +/- 0.25PF
C3201	2113944A79	CAP,FXD,16PF,,+5%,-5%,50V-DC,0402,C
C3202	NOTPLACED	-
C3203	2115075H02	CAP,CERAMIC CHIP,30PF,,+5%,-5%,50V-
C3205	2113946K02	CAP CER CHP 0.10UF 16V
C3206	2115153H26	CAP, CERAMIC, COG
C3207	2113944A17	CAP CER CHP 4.7PF 50V +/- 0.25PF
C3208	2113946K02	CAP CER CHP 0.10UF 16V
C3209	2113946K02	CAP CER CHP 0.10UF 16V
C3210	2113946K02	CAP CER CHP 0.10UF 16V
C3212	2313960B01	CAP TANT 1.0 UF 10% 16V 3216-18
C3213	2313960B30	CAP TANT 4.7 UF 10% 10V 3216-18
C3215	2113944A25	CAP CER CHP 10.0PF 50V +/- 0.5PF
C3218	2313960B57	CAP,TANTA-LUM,10UF,+10%,-10%,4V-DC,S
C3221	2113945D04	CAP CER CHP 100,000PF 25V 10%
C3222	2113946K02	CAP CER CHP 0.10UF 16V
C3225	2113946K02	CAP CER CHP 0.10UF 16V
C3226	2113946K02	CAP CER CHP 0.10UF 16V
C3228	2113946K02	CAP CER CHP 0.10UF 16V
C3230	2113946K02	CAP CER CHP 0.10UF 16V
C3231	2113946K02	CAP CER CHP 0.10UF 16V
C3232	2113946K02	CAP CER CHP 0.10UF 16V
C3233	2113946K02	CAP CER CHP 0.10UF 16V
C3234	2113946K02	CAP CER CHP 0.10UF 16V
C3236	2113945A13	CAP CER CHP 4700PF 50V 10%
C3238	2113946K02	CAP CER CHP 0.10UF 16V
C3274	2115075H02	CAP,CERAMIC CHIP,30PF,,+5%,-5%,50V-
C3275	2115075H01	CAP,CERAMIC CHIP,24PF,,+5%,-5%,50V-
C3278	2113945D04	CAP CER CHP 100,000PF 25V 10%
C3279	2113944A41	CAP CER CHP 120.0PF 50V 5%
C328	2113946K02	CAP CER CHP 0.10UF 16V

Circuit Ref	Motorola Part No.	Description
C3301	2113944A19	CAP CER CHP 5.6PF 50V +/- 0.5PF
C3302	2113944A42	CAP CER CHP 150.0PF 50V 5%
C3303	2113944A27	CAP CER CHP 15.0PF 50V 5%
C3304	2113944A42	CAP CER CHP 150.0PF 50V 5%
C3305	NOTPLACED	-
C3306	2113946B04	CAP CER CHP 0.10UF 10V 10%
C3307	2113944A40	CAP CER CHP 100.0PF 50V 5%
C3308	2113945A03	CAP CER CHP 330PF 50V 10%
C3309	2113946B04	CAP CER CHP 0.10UF 10V 10%
C3310	NOTPLACED	-
C3311	2113944A42	CAP CER CHP 150.0PF 50V 5%
C3312	2113944A79	CAP,FXD,16PF,,+5%,-5%,50V-DC,0402,C
C3313	2113944A42	CAP CER CHP 150.0PF 50V 5%
C3314	NOTPLACED	-
C3315	2113944A25	CAP CER CHP 10.0PF 50V +/- 0.5PF
C3316	2113944A13	CAP CER CHP 3.3PF 50V +/- 0.25PF
C3317	2115075H02	CAP,CERAMIC CHIP,30PF,,+5%,-5%,50V-
C3318	2113945B04	CAP,FXD,.022UF,,+10%,-10%,25V-DC,04
C3319	NOTPLACED	-
C3320	2113944A38	CAP CER CHP 82.0PF 50V 5%
C3321	2113945A03	CAP CER CHP 330PF 50V 10%
C3322	2113944A40	CAP CER CHP 100.0PF 50V 5%
C3323	2113944A40	CAP CER CHP 100.0PF 50V 5%
C3324	2113944A31	CAP CER CHP 33.0PF 50V 5%
C3325	2113945A09	CAP CER CHP 1000PF 50V 10%
C3326	NOTPLACED	-
C3327	2113945A03	CAP CER CHP 330PF 50V 10%
C3329	2113945A03	CAP CER CHP 330PF 50V 10%

Circuit Ref	Motorola Part No.	Description
C3330	2113944A40	CAP CER CHP 100.0PF 50V 5%
C3331	2113944A40	CAP CER CHP 100.0PF 50V 5%
C3332	2113944A32	CAP CER CHP 39.0PF 50V 5%
C3334	2113944A80	CAP,FXD,20PF,,+5%,-5%,50V-DC,0402,C
C3335	2113944A29	CAP CER CHP 22.0PF 50V 5%
C3336	2313960F04	CAP TANT 33 UF 10% 16V 6032-28
C3337	2113945B04	CAP,FXD,.022UF,,+10%,-10%,25V-DC,04
C3338	2113945A05	CAP CER CHP 470PF 50V 10%
C3339	2113944A25	CAP CER CHP 10.0PF 50V +/- 0.5PF
C337	2113946D02	CAP CER CHP 1.0UF 6.3V 10%
C3501	2113945A03	CAP CER CHP 330PF 50V 10%
C3502	2113944A31	CAP CER CHP 33.0PF 50V 5%
C3503	2113944A31	CAP CER CHP 33.0PF 50V 5%
C3504	2113945B04	CAP,FXD,.022UF,,+10%,-10%,25V-DC,04
C3505	2113944A31	CAP CER CHP 33.0PF 50V 5%
C3508	2113945B04	CAP,FXD,.022UF,,+10%,-10%,25V-DC,04
C3509	2113945A03	CAP CER CHP 330PF 50V 10%
C3512	2113944C38	CAP CER CHP 47.0PF 50V 5%
C3513	2113944C82	CAP,FXD,30PF,,+5%,-5%,50V-DC,0603,C
C3514	2113944C41	CAP CER CHP 68.0PF 50V 5%
C3515	2113945A12	CAP CER CHP 3300PF 50V 10%
C3516	2313960C26	CAP TANT 1.0 UF 10% 35V 3528-21
C3517	2113944C41	CAP CER CHP 68.0PF 50V 5%
C3518	NOTPLACED	-
C3519	NOTPLACED	-
C3521	2111078B51	CAP CHIP RF 220 5 NPO 100V

Circuit Ref	Motorola Part No.	Description
C3523	2111078B44	CAP CHIP RF 120 5 NPO 100V
C3524	2113944C80	CAP,FXD,20PF,,+5%,-5%,50V-DC,0603,C
C3525	2113944C30	CAP CER CHP 10.0PF 50V +/- 0.5PF
C3526	2113945B04	CAP,FXD,.022UF,,+10%,-10%,25V-DC,04
C3527	NOTPLACED	-
C3528	2113944C30	CAP CER CHP 10.0PF 50V +/- 0.5PF
C3531	2113944C80	CAP,FXD,20PF,,+5%,-5%,50V-DC,0603,C
C3532	2113944C41	CAP CER CHP 68.0PF 50V 5%
C3533	2113944C27	CAP CER CHP 7.5PF 50V +/- 0.5PF
C3534	2113944C22	CAP CER CHP 4.7PF 50V +/- 0.25PF
C3535	2113944C35	CAP CER CHP 27.0PF 50V 5%
C3536	2113944C32	CAP CER CHP 15.0PF 50V 5%
C3537	2113944C33	CAP CER CHP 18.0PF 50V 5%
C3539	2113944C31	CAP CER CHP 12.0PF 50V 5%
C3541	2113945B04	CAP,FXD,.022UF,,+10%,-10%,25V-DC,04
C3542	2113945A03	CAP CER CHP 330PF 50V 10%
C3543	2113945B04	CAP,FXD,.022UF,,+10%,-10%,25V-DC,04
C3544	2113945A03	CAP CER CHP 330PF 50V 10%
C3546	2113945A03	CAP CER CHP 330PF 50V 10%
C3547	2113945B04	CAP,FXD,.022UF,,+10%,-10%,25V-DC,04
C3550	2113944A22	CAP CER CHP 7.5PF 50V +/- 0.5PF
C3551	2113944A36	CAP CER CHP 68.0PF 50V 5%
C3552	2113944A34	CAP CER CHP 56.0PF 50V 5%
C3560	2313960B01	CAP TANT 1.0 UF 10% 16V 3216-18
C3561	2113945B04	CAP,FXD,.022UF,,+10%,-10%,25V-DC,04
C3562	2113945A12	CAP CER CHP 3300PF 50V 10%

Circuit Ref	Motorola Part No.	Description
C3563	2113945A12	CAP CER CHP 3300PF 50V 10%
C3564	2113945A01	CAP CER CHP 220PF 50V 10%
C3565	2113945C04	CAP CER CHP 22,000PF 50V 10%
C3566	2113944A40	CAP CER CHP 100.0PF 50V 5%
C3567	2113945A03	CAP CER CHP 330PF 50V 10%
C3568	2113945A12	CAP CER CHP 3300PF 50V 10%
C3569	2113945B04	CAP,FXD,.022UF,,+10%,-10%,25V-DC,04
C3570	2113945A03	CAP CER CHP 330PF 50V 10%
C3571	2113945A05	CAP CER CHP 470PF 50V 10%
C358	2113944A21	CAP CER CHP 6.8PF 50V +/-0.5PF
C359	2113944A79	CAP,FXD,16PF,,+5%,-5%,50V-DC,0402,C
C3701	2113945B02	CAP CER CHP 10,000PF 25V 10%
C3702	2113945B02	CAP CER CHP 10,000PF 25V 10%
C3703	2113945B02	CAP CER CHP 10,000PF 25V 10%
C3704	2113945B02	CAP CER CHP 10,000PF 25V 10%
C3705	2113945D04	CAP CER CHP 100,000PF 25V 10%
C3706	2313960D05	CAP TANT 4.7 UF 10% 16V 3528-21
C3707	2113944A29	CAP CER CHP 22.0PF 50V 5%
C3708	2113946B04	CAP CER CHP 0.10UF 10V 10%
C3709	2113946B04	CAP CER CHP 0.10UF 10V 10%
C3710	2113946N03	CAP CER CHP 2.2UF 16V
C3711	2313960M51	CAP TANT 10 UF 10% 6.3V 2012-12
C3712	2113946B04	CAP CER CHP 0.10UF 10V 10%
C3713	2313960C78	CAP TANT 2.2 UF 10% 20V 3528-21
C3714	2313960D05	CAP TANT 4.7 UF 10% 16V 3528-21
C3715	2113945A05	CAP CER CHP 470PF 50V 10%

Circuit Ref	Motorola Part No.	Description
C3721	2113945D04	CAP CER CHP 100,000PF 25V 10%
C3722	2113945D04	CAP CER CHP 100,000PF 25V 10%
C3724	2313960C26	CAP TANT 1.0 UF 10% 35V 3528-21
C3725	NOTPLACED	-
C3726	2113944A23	CAP CER CHP 8.2PF 50V +/-0.5PF
C3727	2113944A40	CAP CER CHP 100.0PF 50V 5%
C3731	2113945B02	CAP CER CHP 10,000PF 25V 10%
C3732	2113945B02	CAP CER CHP 10,000PF 25V 10%
C3733	2113946N03	CAP CER CHP 2.2UF 16V
C3734	2113945B02	CAP CER CHP 10,000PF 25V 10%
C3741	NOTPLACED	-
C3742	2113945A01	CAP CER CHP 220PF 50V 10%
C3743	2113945A01	CAP CER CHP 220PF 50V 10%
C3744	2113945A01	CAP CER CHP 220PF 50V 10%
C3745	2113945A01	CAP CER CHP 220PF 50V 10%
C3746	2113945A01	CAP CER CHP 220PF 50V 10%
C3752	2113945A09	CAP CER CHP 1000PF 50V 10%
C3753	2313960B30	CAP TANT 4.7 UF 10% 10V 3216-18
C3754	2113946B04	CAP CER CHP 0.10UF 10V 10%
C3755	2113946N03	CAP CER CHP 2.2UF 16V
C3761	2113944A33	CAP CER CHP 47.0PF 50V 5%
C3762	2113944C04	CAP CER CHP 330.0PF 50V 5%
C3763	NOTPLACED	-
C3801	2113944A17	CAP CER CHP 4.7PF 50V +/-0.25PF
C3802	NOTPLACED	-
C3803	2113945A09	CAP CER CHP 1000PF 50V 10%
C3804	2113945D04	CAP CER CHP 100,000PF 25V 10%
C3805	2113944A17	CAP CER CHP 4.7PF 50V +/-0.25PF

Circuit Ref	Motorola Part No.	Description
C3806	2113944A40	CAP CER CHP 100.0PF 50V 5%
C3808	2113944A27	CAP CER CHP 15.0PF 50V 5%
C3809	2113944A30	CAP CER CHP 27.0PF 50V 5%
C3810	NOTPLACED	-
C3811	2113946B04	CAP CER CHP 0.10UF 10V 10%
C3812	2113946B04	CAP CER CHP 0.10UF 10V 10%
C3813	2113945B02	CAP CER CHP 10,000PF 25V 10%
C3815	2113945A09	CAP CER CHP 1000PF 50V 10%
C3816	2113944A21	CAP CER CHP 6.8PF 50V +/-0.5PF
C3818	2113945C04	CAP CER CHP 22,000PF 50V 10%
C3821	2113945B02	CAP CER CHP 10,000PF 25V 10%
C3822	2113945A09	CAP CER CHP 1000PF 50V 10%
C3823	2113945B02	CAP CER CHP 10,000PF 25V 10%
C3824	2113944A34	CAP CER CHP 56.0PF 50V 5%
C3825	2113944A27	CAP CER CHP 15.0PF 50V 5%
C3826	2113944A17	CAP CER CHP 4.7PF 50V +/-0.25PF
C3827	2113945C04	CAP CER CHP 22,000PF 50V 10%
C3828	2185895Z01	CAPACITOR CER LOW DIST .01UF
C3829	2185895Z01	CAPACITOR CER LOW DIST .01UF
C383	2115075H03	CAP,CERAMIC CHIP,51PF,,+5%,-5%,50V-
C3830	2113944A36	CAP CER CHP 68.0PF 50V 5%
C3832	2113945A09	CAP CER CHP 1000PF 50V 10%
C3833	2113944A17	CAP CER CHP 4.7PF 50V +/-0.25PF
C3834	2113944A34	CAP CER CHP 56.0PF 50V 5%
C3835	2113944A21	CAP CER CHP 6.8PF 50V +/-0.5PF
C3836	2113944A27	CAP CER CHP 15.0PF 50V 5%

Circuit Ref	Motorola Part No.	Description
C3842	2113945A09	CAP CER CHP 1000PF 50V 10%
C390	2115075H03	CAP,CERAMIC CHIP,51PF,,+5%,-5%,50V-
C400	2113945B02	CAP CER CHP 10,000PF 25V 10%
C401	2113946B04	CAP CER CHP 0.10UF 10V 10%
C402	2113946B04	CAP CER CHP 0.10UF 10V 10%
C4020	NOTPLACED	-
C4021	NOTPLACED	-
C403	2113743G24	CAP CHIP 2.2 UF 16V+80-20%
C407	2113946B04	CAP CER CHP 0.10UF 10V 10%
C408	2113944A40	CAP CER CHP 100.0PF 50V 5%
C409	2113946B04	CAP CER CHP 0.10UF 10V 10%
C410	2113946B04	CAP CER CHP 0.10UF 10V 10%
C411	2113946B04	CAP CER CHP 0.10UF 10V 10%
C414	2113946B04	CAP CER CHP 0.10UF 10V 10%
C415	2185895Z01	CAPACITOR CER LOW DIST .01UF
C416	2113946B04	CAP CER CHP 0.10UF 10V 10%
C419	2113945B02	CAP CER CHP 10,000PF 25V 10%
C420	2113945B02	CAP CER CHP 10,000PF 25V 10%
C421	2113946B04	CAP CER CHP 0.10UF 10V 10%
C422	2113946B04	CAP CER CHP 0.10UF 10V 10%
C423	2113944A40	CAP CER CHP 100.0PF 50V 5%
C424	2313960B57	CAP,TANTA-LUM,10UF,+10%,-10%,4V-DC,S
C425	2113946B04	CAP CER CHP 0.10UF 10V 10%
C426	2113944A40	CAP CER CHP 100.0PF 50V 5%
C427	2113944A40	CAP CER CHP 100.0PF 50V 5%
C428	2113946B04	CAP CER CHP 0.10UF 10V 10%

Circuit Ref	Motorola Part No.	Description
C429	2113946B04	CAP CER CHP 0.10UF 10V 10%
C430	2113946B04	CAP CER CHP 0.10UF 10V 10%
C431	2113944A40	CAP CER CHP 100.0PF 50V 5%
C432	NOTPLACED	-
C433	2113945B02	CAP CER CHP 10,000PF 25V 10%
C434	2113946B04	CAP CER CHP 0.10UF 10V 10%
C435	2113946B04	CAP CER CHP 0.10UF 10V 10%
C436	2113944A29	CAP CER CHP 22.0PF 50V 5%
C437	2113944A29	CAP CER CHP 22.0PF 50V 5%
C440	2113946Q01	CAP CER CHP 4.7UF 16V
C441	2113945A05	CAP CER CHP 470PF 50V 10%
C442	2113945D04	CAP CER CHP 100,000PF 25V 10%
C443	2113946B04	CAP CER CHP 0.10UF 10V 10%
C444	2113944A40	CAP CER CHP 100.0PF 50V 5%
C445	2113945A05	CAP CER CHP 470PF 50V 10%
C446	2113945A05	CAP CER CHP 470PF 50V 10%
C447	2113946B04	CAP CER CHP 0.10UF 10V 10%
C448	2113946B04	CAP CER CHP 0.10UF 10V 10%
C449	2113944A40	CAP CER CHP 100.0PF 50V 5%
C450	NOTPLACED	-
C451	2113945B04	CAP,FXD,.022UF,+,10%,-10%,25V-DC,04
C452	2113743B29	CAP CHIP 1.00 UF 10% 16V
C453	2113944A40	CAP CER CHP 100.0PF 50V 5%
C456	2113944A40	CAP CER CHP 100.0PF 50V 5%
C458	2113944A40	CAP CER CHP 100.0PF 50V 5%
C459	2113944A40	CAP CER CHP 100.0PF 50V 5%
C463	2113944A40	CAP CER CHP 100.0PF 50V 5%

Circuit Ref	Motorola Part No.	Description
C466	2113944A40	CAP CER CHP 100.0PF 50V 5%
C467	2113946B04	CAP CER CHP 0.10UF 10V 10%
C471	2113945A05	CAP CER CHP 470PF 50V 10%
C472	2113945A05	CAP CER CHP 470PF 50V 10%
C473	2113945A05	CAP CER CHP 470PF 50V 10%
C474	2113945B02	CAP CER CHP 10,000PF 25V 10%
C475	2113743H14	CAP CHIP 10.0 UF 16V +80-20%
C476	2113946R01	CAP CER CHP 10.0UF 10V
C477	2113945A09	CAP CER CHP 1000PF 50V 10%
C478	2113945A09	CAP CER CHP 1000PF 50V 10%
C479	2113946B04	CAP CER CHP 0.10UF 10V 10%
C480	2113946R01	CAP CER CHP 10.0UF 10V
C481	2113946B04	CAP CER CHP 0.10UF 10V 10%
C482	2113946B04	CAP CER CHP 0.10UF 10V 10%
C483	2113945A05	CAP CER CHP 470PF 50V 10%
C484	2113945A05	CAP CER CHP 470PF 50V 10%
C490	2113945A05	CAP CER CHP 470PF 50V 10%
C491	2113945A05	CAP CER CHP 470PF 50V 10%
C492	2113945A05	CAP CER CHP 470PF 50V 10%
C493	2113944A40	CAP CER CHP 100.0PF 50V 5%
C494	2113944A40	CAP CER CHP 100.0PF 50V 5%
C495	2113945A05	CAP CER CHP 470PF 50V 10%
C496	2113945A05	CAP CER CHP 470PF 50V 10%
C497	2113945A05	CAP CER CHP 470PF 50V 10%
C498	NOTPLACED	-
C500	2113946B04	CAP CER CHP 0.10UF 10V 10%
C502	2313960A55	CAP TANT 0.47 UF 10% 25V 3216-18

Circuit Ref	Motorola Part No.	Description
C503	2113944A40	CAP CER CHP 100.0PF 50V 5%
C505	2113944A40	CAP CER CHP 100.0PF 50V 5%
C511	2113944A40	CAP CER CHP 100.0PF 50V 5%
C512	2113944A40	CAP CER CHP 100.0PF 50V 5%
C513	2113944A40	CAP CER CHP 100.0PF 50V 5%
C514	2113944A40	CAP CER CHP 100.0PF 50V 5%
C520	2113945B02	CAP CER CHP 10,000PF 25V 10%
C521	2113945B02	CAP CER CHP 10,000PF 25V 10%
C522	2113945B02	CAP CER CHP 10,000PF 25V 10%
C523	2113945B02	CAP CER CHP 10,000PF 25V 10%
C535	2113945A09	CAP CER CHP 1000PF 50V 10%
C610	2113944A40	CAP CER CHP 100.0PF 50V 5%
C611	2113944A40	CAP CER CHP 100.0PF 50V 5%
C612	2113944A40	CAP CER CHP 100.0PF 50V 5%
C613	2113944A40	CAP CER CHP 100.0PF 50V 5%
C615	2113944A40	CAP CER CHP 100.0PF 50V 5%
C616	2113944A40	CAP CER CHP 100.0PF 50V 5%
C618	2113944A40	CAP CER CHP 100.0PF 50V 5%
C619	2113944A40	CAP CER CHP 100.0PF 50V 5%
C620	2113944A40	CAP CER CHP 100.0PF 50V 5%
C621	2113944A40	CAP CER CHP 100.0PF 50V 5%
C622	2113944A40	CAP CER CHP 100.0PF 50V 5%
CR3201	4813974A19	Diode Schottky Barrier Series
CR3202	4815047H01	Diode,SWG,DAN235EFTL,,,,,3 5V
CR3203	4815047H01	Diode,SWG,DAN235EFTL,,,,,3 5V
CR3301	4802245J42	Ring Quad Diode SOT-143 PKG

Circuit Ref	Motorola Part No.	Description
CR3302	4815129H01	Diode Dual Bonds RH
CR3303	4815048H01	Diode,SHTK,MMBD353LT1,S M,,,7V
CR411	4815067H01	Diode Array,SWG,RB731UFT108,S MD,,1M
CR412	4815067H01	Diode Array,SWG,RB731UFT108,S MD,,1M
CR413	4815067H01	Diode Array,SWG,RB731UFT108,S MD,,1M
CR440	4813978C02	PB Free, Not Completely Enriched RECTIFIER
CR501	4815155H01	Diode Red/yel
CR503	4805729G49	Diode Dual 75V A2X
D104	4813978C06	MMBD2836LT1
D3301	4815276H01	Varactor Diode From Infineon
D3302	4815276H01	Varactor Diode From Infineon
D3521	4880973Z02	Pin Diode
D3551	4880973Z02	Pin Diode
D3701	4815011H01	Diode,SWG,,,,,300MA,80V
D3702	4815011H01	Diode,SWG,,,,,300MA,80V
D3761	4815072H01	Diode,VCTR,1SV232,,,,,30V
D3821	4815071H01	Diode,VCTR,1SV228,,,,,15V
D3831	4815071H01	Diode,VCTR,1SV228,,,,,15V
D3832	4815264H01	Diode Varactor From Toshiba
D601	4880479U01	LED
D602	4880479U01	LED
D603	4880479U01	LED
D604	4880479U01	LED
D605	4880479U01	LED
D606	4880479U01	LED
E400	2480640Z01	Surface Mount Ferrite Bead
E401	2480640Z01	Surface Mount Ferrite Bead
E402	2480640Z01	Surface Mount Ferrite Bead
E403	2480640Z01	Surface Mount Ferrite Bead
E404	2480640Z01	Surface Mount Ferrite Bead
E405	2480640Z01	Surface Mount Ferrite Bead
E406	2480640Z01	Surface Mount Ferrite Bead
E407	2480640Z01	Surface Mount Ferrite Bead
E408	2480640Z01	Surface Mount Ferrite Bead
E409	2480640Z01	Surface Mount Ferrite Bead
E634	2480640Z01	Surface Mount Ferrite Bead
E637	2480640Z01	Surface Mount Ferrite Bead
E638	2480640Z01	Surface Mount Ferrite Bead
E639	2480640Z01	Surface Mount Ferrite Bead
E640	2480640Z01	Surface Mount Ferrite Bead
E641	2480640Z01	Surface Mount Ferrite Bead
E642	2480640Z01	Surface Mount Ferrite Bead

Circuit Ref	Motorola Part No.	Description
E643	2480640Z01	Surface Mount Ferrite Bead
E644	2480640Z01	Surface Mount Ferrite Bead
E645	2480640Z01	Surface Mount Ferrite Bead
F501	6515076H01	FUSE,FST BLW,3A,24V,FUSE CHIP SMT T
FL401	4870368G02	Reflowable Clock OSC XTAL
H3501	2680499Z02	Heat Spreader
J3501	0985613Z01	Jack,RF
J3502	0280519Z02	Nut, Antenna
J400	0915064H03	Connector, ZIF (40 PINS)
J403	0915064H02	CONN,CONN,F,20CONT,,CO NNECTOR, ZIF
J601	0980521Z03	CONN, ZIF Vertical, 40PINS
J602	0915064H01	CONN,CONN,F,18CONT,,CO NNECTOR, ZIF
L3200	2415045H01	Fixed Induc- tor,CHIP,680NH,5%,50MA,,
L3202	2415042H03	Fixed Induc- tor,RF,1.2UH,2%,,CER,,,
L3203	2415045H01	Fixed Induc- tor,CHIP,680NH,5%,50MA,,
L3270	2462587N68	CHIP IND 1000 NH 5%
L3301	2415013H02	Fixed Induc- tor,CHIP,120NH,5%,850MA,
L3303	2415013H02	Fixed Induc- tor,CHIP,120NH,5%,850MA,
L3304	2462587T23	IND CHIP 470NH 5% LOW PRO
L3305	2415013H02	Fixed Induc- tor,CHIP,120NH,5%,850MA,
L3306	2415013H02	Fixed Induc- tor,chip,120NH,5%,850MA,
L3308	2415013H01	Fixed Induc- tor,CHIP,100NH,5%,850MA,
L3309	2462587N55	CHIP IND 150 NH 5%
L3312	2415043H02	Fixed Induc- tor,RF,33NH,5%,,S
L3501	2415016H01	IDCTR,CHIP,5.6NH,5%,1A,,C ER,,,,SM
L3503	2415043H03	Fixed Induc- tor,RF,68NH,5%,,CER,,,
L3504	2415015H02	IDCTR,CHIP,6.8NH,5%,1A,.1 6OHM,CER,,
L3511	2415042H01	Fixed Induc- tor,RF,18NH,5%,,CER,,,
L3512	2479990B01	Air Wound Coil/Green Color 11.03NH
L3513	2479990A02	Air Wound Coil/Green Color 7.66NH

Circuit Ref	Motorola Part No.	Description
L3515	2479990C03	Air Wound Coil/Green Color 13.85NH
L3518	NOTPLACED	-
L3519	2484657R01	INDUCTOR BEAD CHIP
L3521	2479990A02	Air Wound Coil/Green Color 7.66NH
L3522	2.48E+07	Coil Air Wound/Green Color 23.75
L3523	2462587N68	CHIP IND 1000 NH 5%
L3531	2479990N01	Air Wound Coil/Green Color 43.67NH
L3532	2479990N01	Air Wound Coil/Green Color 43.67NH
L3538	2479990M01	Air Wound Coil/Green Color 30.54NH
L3551	2479990N01	Air Wound Coil/Green Color 43.67NH
L3552	2479990A02	Air Wound Coil/Green Color 7.66NH
L3701	2462587Q42	IND CHIP 390NH 10%
L3731	2462587Q20	IND CHIP 2,200NH 20%
L3801	2415043H04	IDCTR,CHIP,100NH,5%,500 MA,,CER
L3809	2415043H01	Fixed Induc- tor,RF,27NH,5%,,CER,,,
L3811	2415043H04	IDCTR,CHIP,100NH,5%,500 MA,,CER
L3812	2415043H04	IDCTR,CHIP,100NH,5%,500 MA,,CER
L3813	2462587Q47	IND CHIP 1000 NH 10%
L3816	2415043H04	IDCTR,CHIP,100NH,5%,500 MA,,CER
L3821	2415042H02	Fixed Induc- tor,RF,56NH,,CER,,,
L3822	2415015H01	IDCTR,CHIP,47NH,5%,1A,.16 OHM,CER,,
L3823	2415015H01	IDCTR,CHIP,47NH,5%,1A,.16 OHM,CER,,
L3824	2462587N68	CHIP IND 1000 NH 5%
L3825	2415043H04	IDCTR,CHIP,100NH,5%,500 MA,,CER
L3826	2462587N68	CHIP IND 1000 NH 5%
L3831	2415042H02	Fixed Induc- tor,RF,56NH,,CER,,,
L3832	2415015H02	IDCTR,CHIP,6.8NH,5%,1A,.1 6OHM,CER,,
L3833	2415042H02	Fixed Induc- tor,RF,56NH,,CER,,,
L3834	2462587N68	CHIP IND 1000 NH 5%
L400	2462587Q42	IND CHIP 390NH 10%
L401	2462587Q42	IND CHIP 390NH 10%

Circuit Ref	Motorola Part No.	Description
L410	2462587Q42	IND CHIP 390NH 10%
L411	2462587Q42	IND CHIP 390NH 10%
L505	2462587Q42	IND CHIP 390NH 10%
PB501	4086470Z01	Tact Switch
PB502	4086470Z01	Tact Switch
PB503	4086470Z01	Tact Switch
PB504	4086470Z01	Tact Switch
PB505	4086470Z01	Tact Switch
Q3200	4802197J95	RF Transistor PBR941
Q3270	4813973M07	TSTR NPN 40V .2A GEN PURP
Q3301	4815056H01	XSTR,BIP GP SS,,NPN,MMBT3904LT1G,S O
Q3302	4802197J95	RF Transistor PBR941
Q3501	4813976A01	TSTR, 175 MHZ, 8W, 7.5V, PLD 1.5
Q3561	4813973A13	XSTR,BIP GP SS,,PNP,,TO- 236,SOT-23,
Q3721	4815055H01	XSTR,GEN Purpose Small SIG,,NPN AND
Q3801	4802197J95	RF Transistor PBR941
Q400	4815069H02	TSTR MOSFET P-CHAN
Q403	4813973A13	XSTR,BIP GP SS,,PNP,,TO- 236,SOT-23,
Q405	4815066H01	XSTR,OTHR,,UMG5NFTR,,, ,,250MHZ
Q410	4815066H01	XSTR,OTHR,,UMG5NFTR,,, ,,250MHZ
Q416	4815069H02	TSTR MOSFET P-CHAN
Q417	4815055H01	XSTR,GEN Purpose Small SIG,,NPN AND
Q502	4815154H01	DUAL TRANS NPN
Q505	4815056H01	XSTR,BIP GP SS,,NPN,MMBT3904LT1G,S O
Q601	4815125H01	SOT STR RH Low Profile MMBT
Q602	4815056H01	XSTR,BIP GP SS,,NPN,MMBT3904LT1G,S O
Q603	4815056H01	XSTR,BIP GP SS,,NPN,MMBT3904LT1G,S O
R3200	0613952Q71	CER CHIP RES 820 OHM 5% 0402
R3201	0613952Q68	CER CHIP RES 620 OHM 5% 0402
R3202	0613952R11	CER CHIP RES 27K OHM 5% 0402

Circuit Ref	Motorola Part No.	Description
R3203	0613952R03	CER CHIP RES 12K OHM 5% 0402
R3204	0613952Q89	CER CHIP RES 4700 OHM 5% 0402
R3205	0613952R08	CER CHIP RES 20K OHM 5% 0402
R3206	0613952Q72	CER CHIP RES 910 OHM 5% 0402
R3207	0613952R03	CER CHIP RES 12K OHM 5% 0402
R3208	0613952R08	CER CHIP RES 20K OHM 5% 0402
R3209	0613952R15	CER CHIP RES 39K OHM 5% 0402
R3211	0613952R15	CER CHIP RES 39K OHM 5% 0402
R3212	0613952R08	CER CHIP RES 20K OHM 5% 0402
R3213	0613952R03	CER CHIP RES 12K OHM 5% 0402
R3214	0613952Q33	CER CHIP RES 22.0 OHM 5% 0402
R3215	0613952R66	CER CHIP RES 0.0 +/-0.050 OHM
R3220	NOTPLACED	-
R3221	0613952Q42	CER CHIP RES 51.0 OHM 5% 0402
R3222	0613952Q69	CER CHIP RES 680 OHM 5% 0402
R3223	0613952N09	CER CHIP RES 12.1K OHM 1% 0402
R3224	0613952N01	CER CHIP RES 10.0K OHM 1% 0402
R3226	0613952Q63	CER CHIP RES 390 OHM 5% 0402
R3270	0613952Q73	CER CHIP RES 1000 OHM 5% 0402
R3271	NOTPLACED	-
R3273	0613952R05	CER CHIP RES 15K OHM 5% 0402
R3274	0613952Q79	CER CHIP RES 1800 OHM 5% 0402
R3275	0613952Q75	CER CHIP RES 1200 OHM 5% 0402
R3276	0613952R25	CER CHIP RES 100K OHM 5% 0402
R3301	NOTPLACED	-
R3303	0613952R25	CER CHIP RES 100K OHM 5% 0402
R3304	0613952R25	CER CHIP RES 100K OHM 5% 0402

Circuit Ref	Motorola Part No.	Description
R3305	0613952R17	CER CHIP RES 47K OHM 5% 0402
R3306	0613952Q81	CER CHIP RES 2200 OHM 5% 0402
R3307	0613952R13	CER CHIP RES 33K OHM 5% 0402
R3308	0613952Q77	CER CHIP RES 1500 OHM 5% 0402
R3309	0613952Q94	CER CHIP RES 7500 OHM 5% 0402
R3310	0613952Q83	CER CHIP RES 2700 OHM 5% 0402
R3311	NOTPLACED	-
R3312	0613952Q18	CER CHIP RES 5.1 OHM 5% 0402
R3313	0613952Q39	CER CHIP RES 39.0 OHM 5% 0402
R3314	0613952Q34	CER CHIP RES 24.0 OHM 5% 0402
R3315	0613952Q61	CER CHIP RES 330 OHM 5% 0402
R3316	0613952Q65	CER CHIP RES 470 OHM 5% 0402
R3317	0613952R25	CER CHIP RES 100K OHM 5% 0402
R3318	0613952Q65	CER CHIP RES 470 OHM 5% 0402
R3319	NOTPLACED	-
R3320	NOTPLACED	-
R3321	0613952Q42	CER CHIP RES 51.0 OHM 5% 0402
R3322	NOTPLACED	-
R3323	0613952R66	CER CHIP RES 0.0 +/-0.050 OHM
R3324	0613952Q57	CER CHIP RES 220 OHM 5% 0402
R3501	0613952Q60	CER CHIP RES 300 OHM 5% 0402
R3502	0613952Q31	CER CHIP RES 18.0 OHM 5% 0402
R3503	0613952Q60	CER CHIP RES 300 OHM 5% 0402
R3505	0613952Q61	CER CHIP RES 330 OHM 5% 0402
R3506	0613952H15	CER CHIP RES 3.9 OHM 5% 0603
R3507	0613952H15	CER CHIP RES 3.9 OHM 5% 0603
R3512	NOTPLACED	-
R3513	NOTPLACED	-
R3519	0680539Z01	Power Metal Strip Resistors

Circuit Ref	Motorola Part No.	Description
R3541	0613952R15	CER CHIP RES 39K OHM 5% 0402
R3542	0613952Q91	CER CHIP RES 5600 OHM 5% 0402
R3543	0613952Q49	CER CHIP RES 100 OHM 5% 0402
R3544	0613952H49	CER CHIP RES 100 OHM 5% 0603
R3545	0613952H49	CER CHIP RES 100 OHM 5% 0603
R3546	0613952R03	CER CHIP RES 12K OHM 5% 0402
R3547	0613952R13	CER CHIP RES 33K OHM 5% 0402
R3548	0613952R09	CER CHIP RES 22K OHM 5% 0402
R3551	0613952Q39	CER CHIP RES 39.0 OHM 5% 0402
R3561	0613952R03	CER CHIP RES 12K OHM 5% 0402
R3562	0613952R13	CER CHIP RES 33K OHM 5% 0402
R3563	0613952R35	CER CHIP RES 270K OHM 5% 0402
R3564	0613952R37	CER CHIP RES 330K OHM 5% 0402
R3565	NOTPLACED	-
R3566	NOTPLACED	-
R3569	0613952Q91	CER CHIP RES 5600 OHM 5% 0402
R3570	0613952R01	CER CHIP RES 10K OHM 5% 0402
R3571	0613952H51	CER CHIP RES 120 OHM 5% 0603
R3572	0613952H51	CER CHIP RES 120 OHM 5% 0603
R3573	0613952H51	CER CHIP RES 120 OHM 5% 0603
R370	NOTPLACED	-
R3701	0613952Q49	CER CHIP RES 100 OHM 5% 0402
R3702	NOTPLACED	-
R3703	0613952Q53	CER CHIP RES 150 OHM 5% 0402
R3704	0613952Q53	CER CHIP RES 150 OHM 5% 0402
R3705	0613952R13	CER CHIP RES 33K OHM 5% 0402
R371	0613952R25	CER CHIP RES 100K OHM 5% 0402

Circuit Ref	Motorola Part No.	Description
R372	0613952R30	CER CHIP RES 160K OHM 5% 0402
R3721	0613952Q65	CER CHIP RES 470 OHM 5% 0402
R3722	0613952Q67	CER CHIP RES 560 OHM 5% 0402
R3723	0613952Q49	CER CHIP RES 100 OHM 5% 0402
R3726	NOTPLACED	-
R3727	0613952R25	CER CHIP RES 100K OHM 5% 0402
R373	NOTPLACED	-
R374	0613952R25	CER CHIP RES 100K OHM 5% 0402
R3741	0613952Q49	CER CHIP RES 100 OHM 5% 0402
R375	NOTPLACED	-
R3751	0613952R32	CER CHIP RES 200K OHM 5% 0402
R3752	0613952R31	CER CHIP RES 180K OHM 5% 0402
R376	0613952R66	CER CHIP RES 0.0 +/-0.050 OHM
R3761	0613952R17	CER CHIP RES 47K OHM 5% 0402
R3762	NOTPLACED	-
R377	0613952R25	CER CHIP RES 100K OHM 5% 0402
R378	0613952R25	CER CHIP RES 100K OHM 5% 0402
R3801	NOTPLACED	-
R3802	0613952Q49	CER CHIP RES 100 OHM 5% 0402
R3803	0613952Q57	CER CHIP RES 220 OHM 5% 0402
R3804	0613952R01	CER CHIP RES 10K OHM 5% 0402
R3805	0613952R10	CER CHIP RES 24K OHM 5% 0402
R3806	0613952Q33	CER CHIP RES 22.0 OHM 5% 0402
R3807	NOTPLACED	-
R3808	0613952Q25	CER CHIP RES 10.0 OHM 5% 0402
R3811	0613952Q49	CER CHIP RES 100 OHM 5% 0402
R3812	NOTPLACED	-
R3816	0613952Q73	CER CHIP RES 1000 OHM 5% 0402
R3817	0613952R66	CER CHIP RES 0.0 +/-0.050 OHM

Circuit Ref	Motorola Part No.	Description
R3818	NOTPLACED	-
R3821	0613952Q57	CER CHIP RES 220 OHM 5% 0402
R3822	0613952Q41	CER CHIP RES 47.0 OHM 5% 0402
R3823	0613952R13	CER CHIP RES 33K OHM 5% 0402
R3824	0613952R09	CER CHIP RES 22K OHM 5% 0402
R3825	0613952Q37	CER CHIP RES 33.0 OHM 5% 0402
R3826	0613952Q31	CER CHIP RES 18.0 OHM 5% 0402
R3828	0613952Q49	CER CHIP RES 100 OHM 5% 0402
R3829	0613952R66	CER CHIP RES 0.0 +/-0.050 OHM
R3830	NOTPLACED	-
R3831	0613952R01	CER CHIP RES 10K OHM 5% 0402
R3832	0613952R03	CER CHIP RES 12K OHM 5% 0402
R3833	0613952Q57	CER CHIP RES 220 OHM 5% 0402
R3834	0613952Q41	CER CHIP RES 47.0 OHM 5% 0402
R3835	0613952R17	CER CHIP RES 47K OHM 5% 0402
R3836	0613952R01	CER CHIP RES 10K OHM 5% 0402
R400	0613952R17	CER CHIP RES 47K OHM 5% 0402
R401	0613952R66	CER CHIP RES 0.0 +/-0.050 OHM
R402	NOTPLACED	-
R403	NOTPLACED	-
R405	0613952R66	CER CHIP RES 0.0 +/-0.050 OHM
R406	0613952R22	CER CHIP RES 75K OHM 5% 0402
R407	0613952R21	CER CHIP RES 68K OHM 5% 0402
R408	NOTPLACED	-
R409	0613952R01	CER CHIP RES 10K OHM 5% 0402
R410	0613952R25	CER CHIP RES 100K OHM 5% 0402
R411	0613952R01	CER CHIP RES 10K OHM 5% 0402
R413	0613952R66	CER CHIP RES 0.0 +/-0.050 OHM

Circuit Ref	Motorola Part No.	Description
R414	0613952P25	CER CHIP RES 178K OHM 1% 0402
R415	0613952N93	CER CHIP RES 90.9K OHM 1% 0402
R416	0613952R01	CER CHIP RES 10K OHM 5% 0402
R418	0613952R66	CER CHIP RES 0.0 +/-0.050 OHM
R419	0613952Q66	CER CHIP RES 510 OHM 5% 0402
R420	0613952J73	CER CHIP RES 10.0M OHM 5% 0603
R421	0613952Q80	CER CHIP RES 2000 OHM 5% 0402
R423	0613952R23	CER CHIP RES 82K OHM 5% 0402
R424	0613952R14	CER CHIP RES 36K OHM 5% 0402
R425	0613952R12	CER CHIP RES 30K OHM 5% 0402
R426	0613952R37	CER CHIP RES 330K OHM 5% 0402
R427	0613952Q83	CER CHIP RES 2700 OHM 5% 0402
R428	0613952Q09	CER CHIP RES 2.2 OHM 5% 0402
R429	0613952R22	CER CHIP RES 75K OHM 5% 0402
R431	0613952R41	CER CHIP RES 470K OHM 5% 0402
R432	0613952R18	CER CHIP RES 51K OHM 5% 0402
R434	0613952Q61	CER CHIP RES 330 OHM 5% 0402
R435	0613952Q80	CER CHIP RES 2000 OHM 5% 0402
R436	0613952R66	CER CHIP RES 0.0 +/-0.050 OHM
R437	NOTPLACED	-
R445	0613952R10	CER CHIP RES 24K OHM 5% 0402
R447	0613952R25	CER CHIP RES 100K OHM 5% 0402
R448	0613952R01	CER CHIP RES 10K OHM 5% 0402
R449	0613952R10	CER CHIP RES 24K OHM 5% 0402
R450	0613959Y45	CER CHIP RES 68.0 OHM 5% 2512
R451	0613952R05	CER CHIP RES 15K OHM 5% 0402

Circuit Ref	Motorola Part No.	Description
R452	0613952R25	CER CHIP RES 100K OHM 5% 0402
R453	NOTPLACED	-
R454	NOTPLACED	-
R455	NOTPLACED	-
R456	0613952R66	CER CHIP RES 0.0 +/-0.050 OHM
R457	0613952R01	CER CHIP RES 10K OHM 5% 0402
R460	0613952Q89	CER CHIP RES 4700 OHM 5% 0402
R461	0613952Q55	CER CHIP RES 180 OHM 5% 0402
R462	0613952R01	CER CHIP RES 10K OHM 5% 0402
R463	0613952Q60	CER CHIP RES 300 OHM 5% 0402
R471	0613952R08	CER CHIP RES 20K OHM 5% 0402
R472	0613952Q92	CER CHIP RES 6200 OHM 5% 0402
R473	0613952Q25	CER CHIP RES 10.0 OHM 5% 0402
R475	0613952R66	CER CHIP RES 0.0 +/-0.050 OHM
R476	0613952R37	CER CHIP RES 330K OHM 5% 0402
R477	0613952Q73	CER CHIP RES 1000 OHM 5% 0402
R478	0613952R01	CER CHIP RES 10K OHM 5% 0402
R479	0613952R66	CER CHIP RES 0.0 +/-0.050 OHM
R481	0613952R10	CER CHIP RES 24K OHM 5% 0402
R492	0613952R66	CER CHIP RES 0.0 +/-0.050 OHM
R498	0613952R01	CER CHIP RES 10K OHM 5% 0402
R499	0613952R01	CER CHIP RES 10K OHM 5% 0402
R501	0613952Q69	CER CHIP RES 680 OHM 5% 0402
R502	0613952Q55	CER CHIP RES 180 OHM 5% 0402
R505	0613952R01	CER CHIP RES 10K OHM 5% 0402
R506	0613952R17	CER CHIP RES 47K OHM 5% 0402
R601	0613952Z67	RES,MF,51KOHM,1%,.0625 W,SM,0402,200

Circuit Ref	Motorola Part No.	Description
R602	0613952Z67	RES,MF,51KOHM,1%,.0625 W,SM,0402,200
R603	0613952N12	CER CHIP RES 13.0K OHM 1% 0402
R604	0613952Z58	RES,MF,22KOHM,1%,.0625 W,SM,0402,200
R605	0613952N62	CER CHIP RES 43.2K OHM 1% 0402
R606	0613952P12	CER CHIP RES 130K OHM 1% 0402
R607	0613952N12	CER CHIP RES 13.0K OHM 1% 0402
R608	0613952Z58	RES,MF,22KOHM,1%,.0625 W,SM,0402,200
R609	0613952N62	CER CHIP RES 43.2K OHM 1% 0402
R610	0613952P12	CER CHIP RES 130K OHM 1% 0402
R611	0613952R18	CER CHIP RES 51K OHM 5% 0402
R612	0613952R43	CER CHIP RES 560K OHM 5% 0402
R613	0613952R49	CER CHIP RES 1.0M OHM 5% 0402
R614	0613952R66	CER CHIP RES 0.0 +/-0.050 OHM
R617	0613952R66	CER CHIP RES 0.0 +/-0.050 OHM
R618	0613952Q73	CER CHIP RES 1000 OHM 5% 0402
R619	0613952Q73	CER CHIP RES 1000 OHM 5% 0402
R620	0613952Q73	CER CHIP RES 1000 OHM 5% 0402
R621	0613952Q73	CER CHIP RES 1000 OHM 5% 0402
R622	0613952Q73	CER CHIP RES 1000 OHM 5% 0402
R623	0613952Q73	CER CHIP RES 1000 OHM 5% 0402
R626	0613952R66	CER CHIP RES 0.0 +/-0.050 OHM
R627	0613952R66	CER CHIP RES 0.0 +/-0.050 OHM
R631	0613952R66	CER CHIP RES 0.0 +/-0.050 OHM
R632	0613952R25	CER CHIP RES 100K OHM 5% 0402
R633	0613952R25	CER CHIP RES 100K OHM 5% 0402

Circuit Ref	Motorola Part No.	Description
R646	0613952R25	CER CHIP RES 100K OHM 5% 0402
R647	0613952Q84	CER CHIP RES 3000 OHM 5% 0402
R648	0613952R25	CER CHIP RES 100K OHM 5% 0402
R649	0613952R17	CER CHIP RES 47K OHM 5% 0402
RT3301	NOTPLACED	-
RT400	0680590Z01	THERMISTOR_33K
S501	4080710Z21	Switch, Frequency
S502	1880619Z04	VOL POTENTIOMETER with hi temp cam
SH3202	2686539Z02	IF Section Shield
SH3203	2686527Z02	Shield, RFI/EMI, CRS, TIN
SH3301	2615144H01	Shield For GSM Placement
SH3302	2615144H05	Shield For GSM Placement
SH3303	2615144H06	Shield For GSM Placement
SH3501	2615144H03	Shield For GSM Placement
SH3502	2615144H04	Shield For GSM Placement
SH3701	2680511Z02	Shield, Synthesizer
SH3702	2680511Z02	Shield, Synthesizer
SH3801	2680513Z02	Shield, VCO Top
SH3802	2680514Z02	Shield, VCO Bottom/LVZIF
SH400	2680505Z02	Shield, Controller Top Left
SH401	2680506Z02	Shield, Controller Top Right
SH402	2680515Z02	Shield, Controller Bottom Left
SH403	2680516Z02	Shield, Controller BTM Right
T3301	2515121H01	Balun, Transformer
T3302	2515121H01	Balun, Transformer
U303	5114005A01	IC LOW Cost SING SPLY LM2904DR
U3201	5115019H01	IC,LOW Dropout,,SOT-23,SOT-23
U3220	5115281H01	FM IF IC SA616 FROM PHILIPS
U3221	5115070H01	IC,INVTR,,TC7W04FU,,SSOP
U3501	5115678H01	VHF/UHF/800/900 MHZ LDMOS Driver IC
U3502	5185765B26	IC PWR CTRL IN MOS20
U3503	5115022H01	IC,TEMP SENS,LM50C,SM,SOT-23
U3701	5115060H01	IC,FREQ SYN,,AT24701-OT4X
U3711	5115026H01	IC,Low Dropout,,SM,SOT-23/6,,,,,P
U3801	5105750U56	IC PKG DIE VCO Buffer
U400	5115012H01	IC,ADJ LOW DROP-OUT,,SM,,,,,,POS P
U404	5115062H01	IC,CUST,,,,,TQFP48
U405	NOTPLACED	-

Circuit Ref	Motorola Part No.	Description
U406	5115250H02	Need CGISS Description In ICCS
U407	5115033H01	IC,EEPROM,,16K X 8,,SM
U409	5.19E+09	IC,MICROP,,QFP,QFP100,,3.7MHZ
U410	5102463J57	Regulator 3.3V, ILC7062CM-33
U420	5115280H01	Audio Amplifier TDA8547TS
U602	5115014H01	IC,COMPTR,,SM,SOT-23/5
VR3501	4815068H01	Diode Array,ZEN,MMBZ5242BLT1G,SM,,
VR432	4815057H01	Diode Array,ZEN,MMQA5V6T1,SM,,3A,5.
VR433	4815057H01	Diode Array,ZEN,MMQA5V6T1,SM,,3A,5.
VR434	4815038H01	Diode Array,ZEN,,SM,SOD-323,,6.93V,
VR439	4815068H01	Diode Array,ZEN,MMBZ5242BLT1G,SM,,
VR440	NOTPLACED	-
VR441	NOTPLACED	-
VR442	NOTPLACED	-
VR444	NOTPLACED	-
VR447	4815039H01	Diode Array,ZEN,MM3Z10VT1G,SM,,10V
VR448	4815039H01	Diode Array,ZEN,MM3Z10VT1G,SM,,10V
VR449	4815039H01	Diode Array,ZEN,MM3Z10VT1G,SM,,10V
VR450	4815040H01	Diode Array,ZEN,MM3Z12VT1G,SM,,12
VR460	4815038H01	Diode Array,ZEN,,SM,SOD-323,,6.93V,
VR501	4815038H01	Diode Array,ZEN,,SM,SOD-323,,6.93V,
VR506	4815038H01	Diode Array,ZEN,,SM,SOD-323,,6.93V,
Y3200	9180022M11	XTAL Filter 44.85MHZ
Y3201	4802245J84	XTAL 44.395MHz, 3RD OT, SMD
Y3202	9186145B02	CER.DISCR. CDBCA455CX36-TC
Y3203	9115811H03	SMD455KHZ 6 ELEMENT
Y3204	9115811H01	SMD455KHZ 6 ELEMENT

Circuit Ref	Motorola Part No.	Description
Y3205	9180468V05	SMD455KHZ 4 ELEMENT CER FLTR
Y3761	4805875Z04	Crystal 16.8 MHZ
	8415112H01	VHF PC Board

